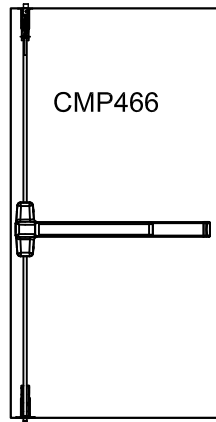


CMP466  
 CONCEAL  
 VERTICAL ROD

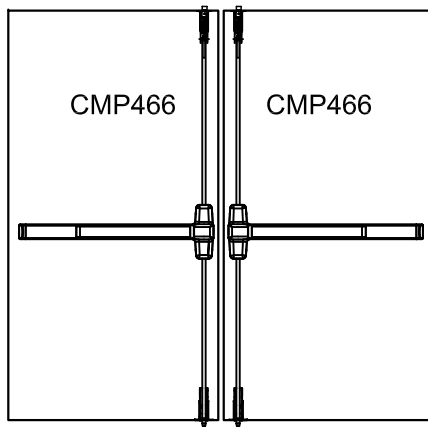
# INSTALLATION INSTRUCTIONS

## FOR ALUMINUM OR PROFILE DOOR

SINGLE DOOR


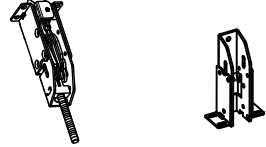

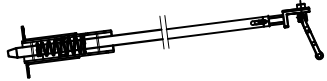
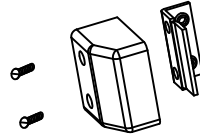





DOUBLE DOOR



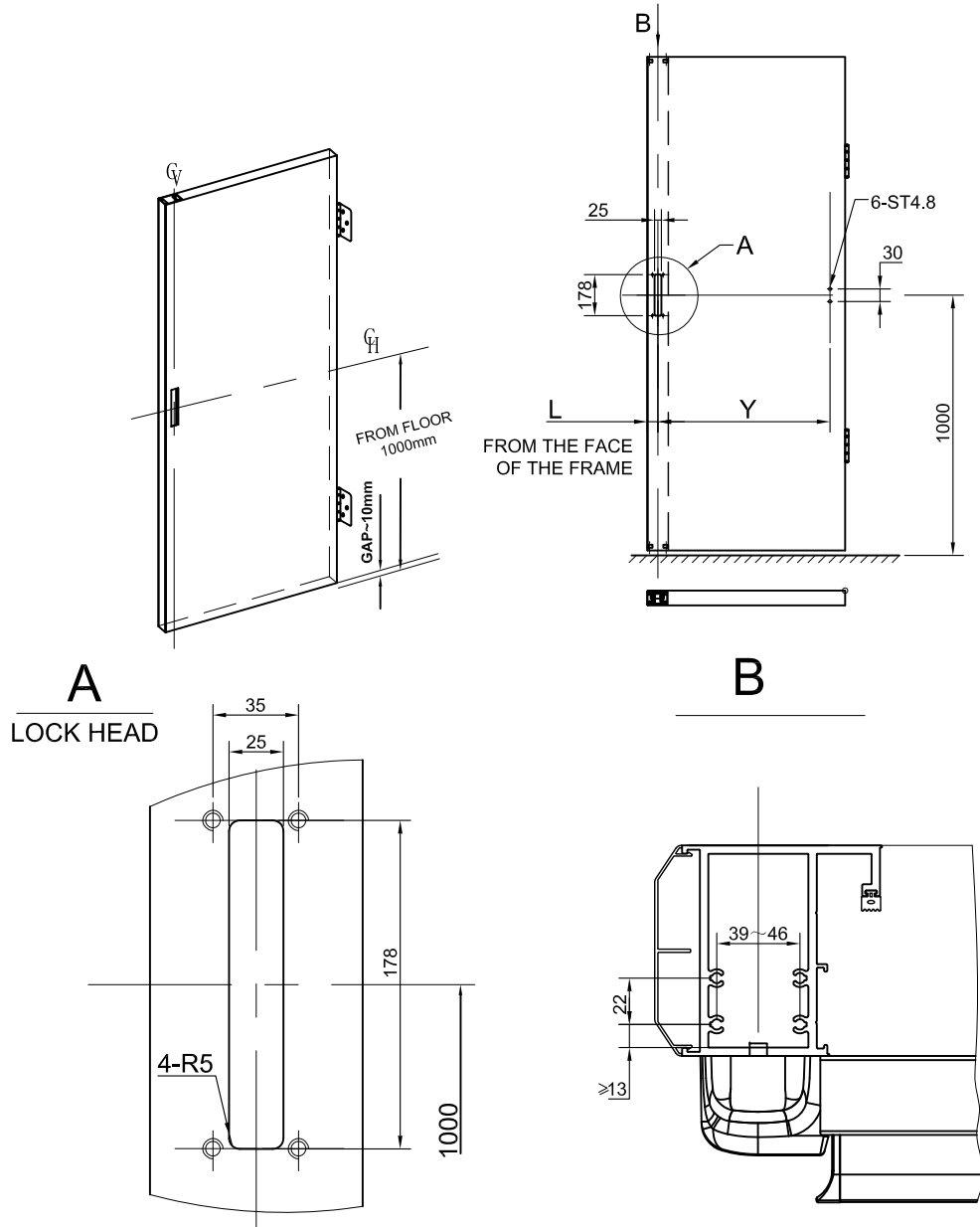
## 1. PARTS CHECK

- 1) MAKE SURE THE CORRECT DEVICE IS BEING USED.
- 2) MAKE SURE ALL NEEDED PARTS ARE ON HAND.
- 3) MAKE SURE OUTSIDE TRIM (IF BEING USED) HAS BEEN PROVIDED AND IS THE CORRECT HANDING.

<p>1) DEVICE</p> 	<p>2) TOP LATCH</p> 
<p>3) TOP ROD</p> 	<p>4) BOTTOM BLOT</p> 
<p>5) END CUP</p> 	<p>6) TOP STRIKE</p>  <p>TOP STRIKE SHOULD BE CHECKED WHETHER IT MEET THE DOOR DESIGN</p>
<p>7) SCREWS PACK</p>  <p>3MM HEXAGON KEY(1 PCS)        5MM HEXAGON KEY(1 PCS)        SCREW M6X20 (1 PCS)        BEAM (2 PCS)        OPEN PIN(3 PCS)        BRASS SCREWS (2 PCS)        SCREWS</p>	<p>8) BOTTOM DUST PROOF STRIKE</p>  <p>OPTIONAL</p>

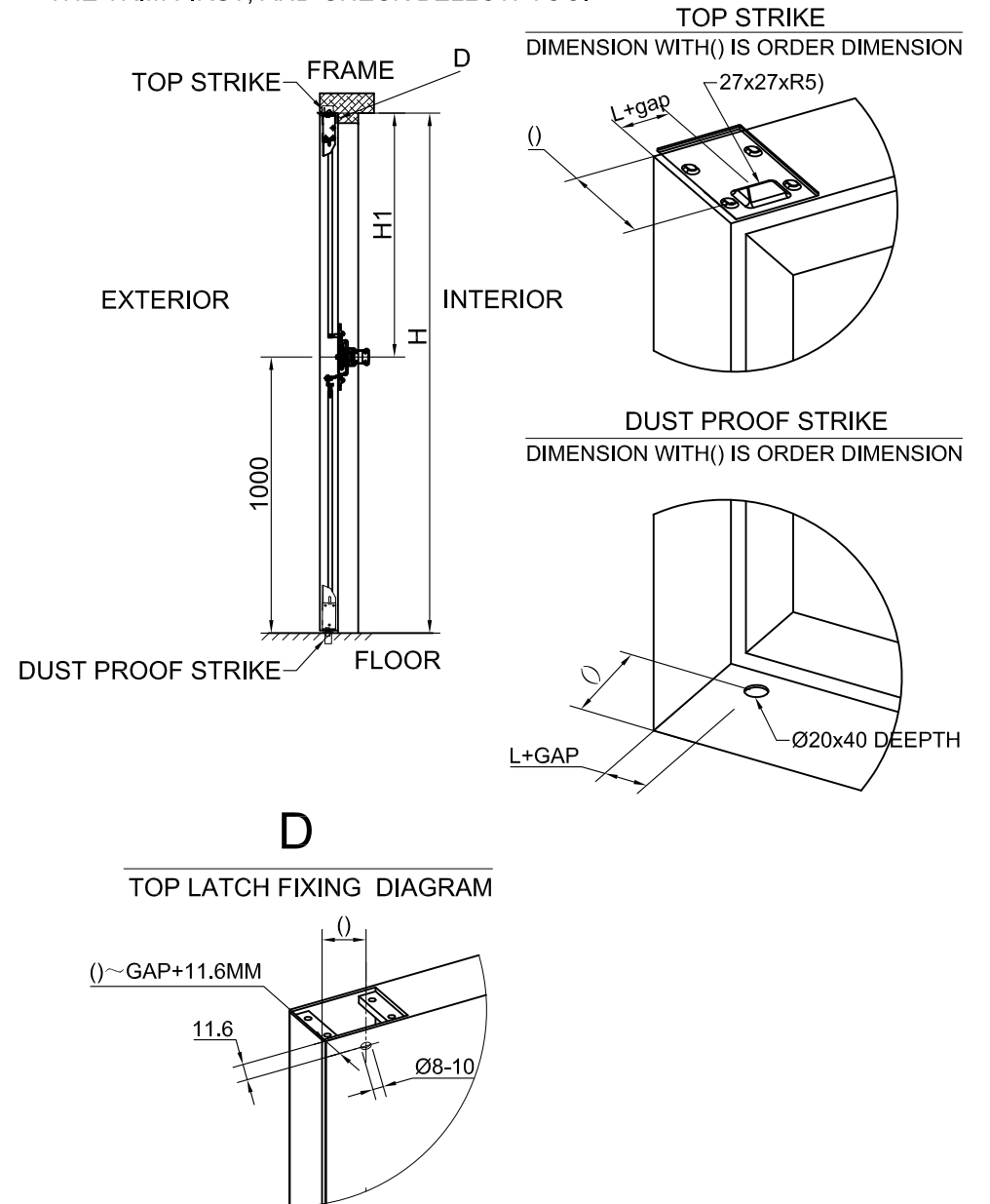
## 2. DOOR LAYOUT

- 1) DOOR MUST BE FITTED AND HUNG PROPERLY BEFORE PROCEEDING.
- 2) THE FRAME OF THE LEAF SHOULD BE NO LESS THAN 50x75MM
- 3) MARK VERTICAL  $\psi$  AND HORIZONTAL  $\phi$  LINE ON DOOR AND FRAME.



## 3. DOOR & HARDWARE INSTALLATION

- 1) PREPARE THE STRIKE AS BELOW
- 2) IF WITH TRIM, PLEASE CHECK THE INSTALLATION INSTRUCTION OF THE TRIM FIRST, AND CHECK BELOW TOO.



4) ADJUST THE LENGTH OF DEVICE

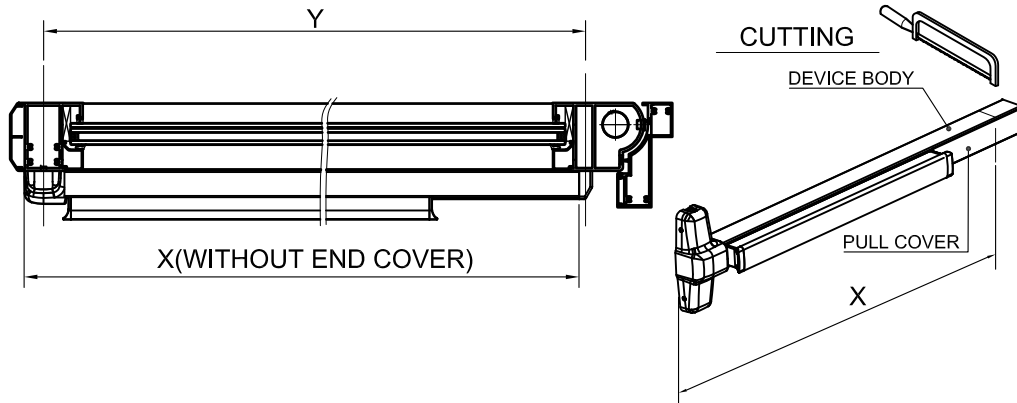
A) DELIVERY PRODUCT IS FIT FOR THE DOOR WHICH IS WIDTH 1000MM AND HEIGHT 2200±25mm.

B) IF THE WIDTH OF THE DOOR IS LESS THAN 1000mm, THE LENGTH SHOULD BE CUT TO MEET THE INSTALLATION REQUIREMENT

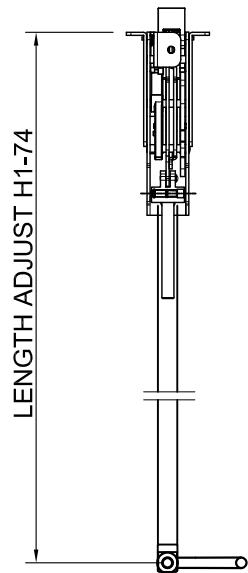
C) MEASURE THE DIMENSION OF Y

D) CALCULATE THE LENGTH X,  $X=Y+25$

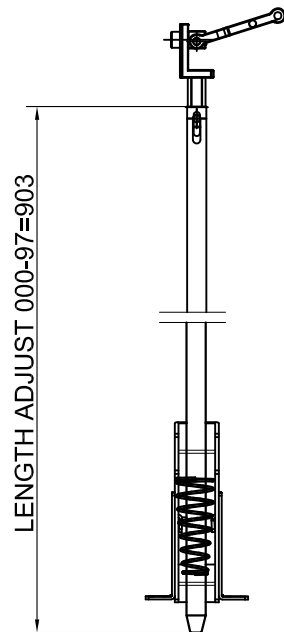
E) CUT THE LENGTH OF DEVICE TO X



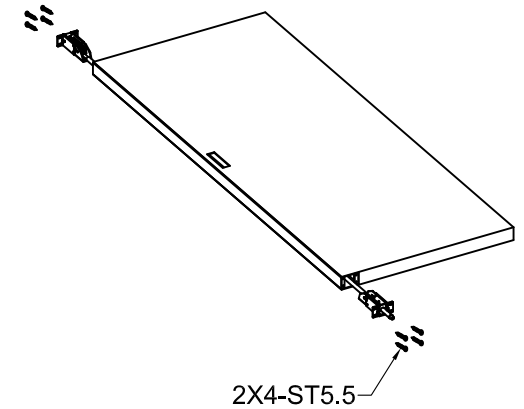
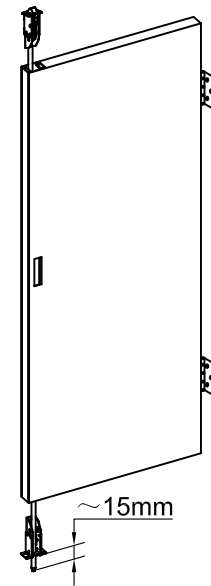
TOP LATCH



BOTTOM BOLT

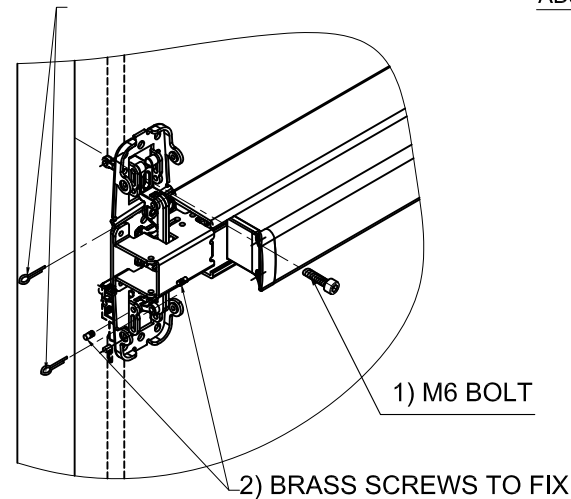


TOP LATCH, BOTTOM BOLT INSTALLATION



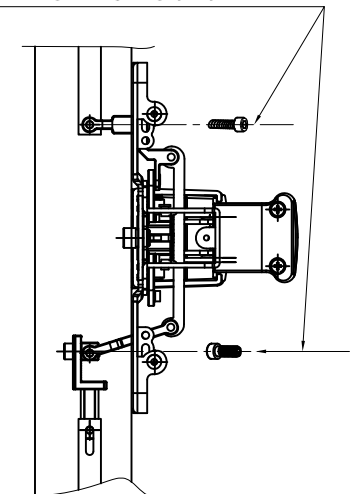
DEVICE INSTALLATION (EXPLODED DETAILED)

3) PIN TO CONNECT AND FIX



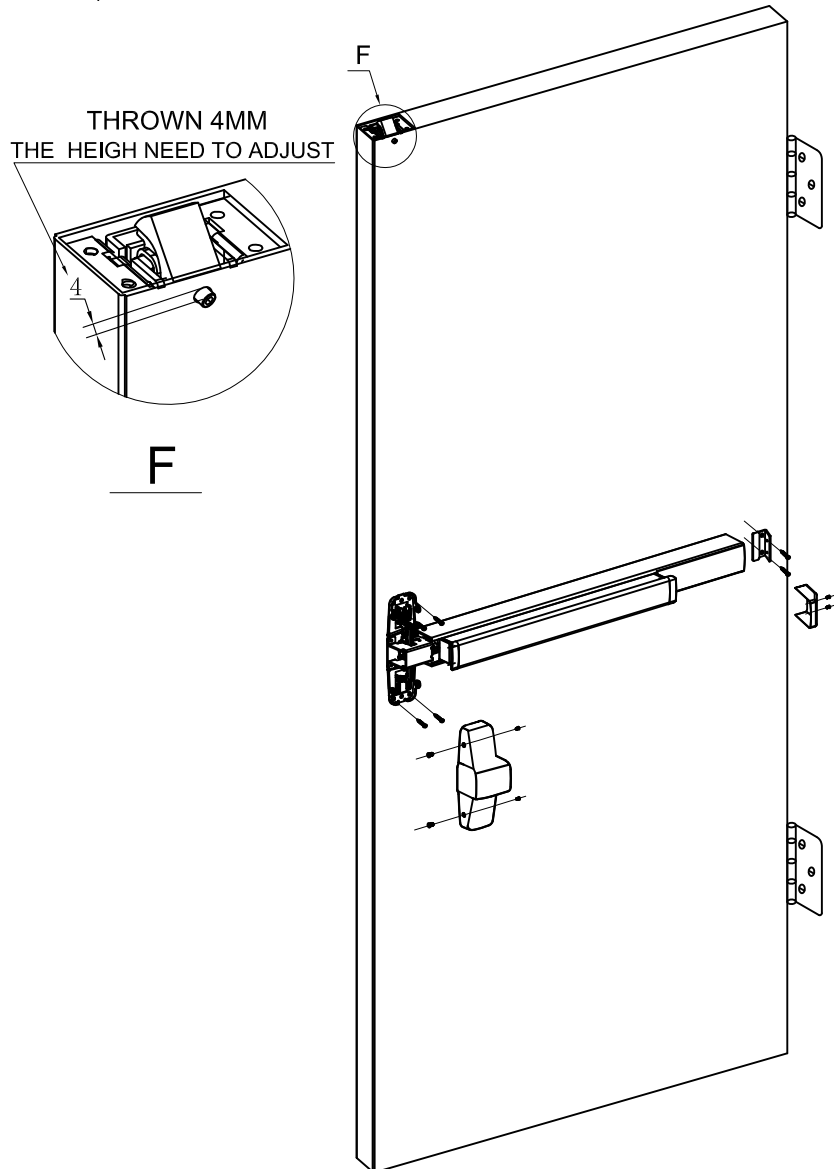
ADJUST TOP AND BOTTOM LATCH

ADJUST THESE 2 BOLT TO ADJUST DISTANCE OF TOP AND BOTTOM STRIKE  
ADJUSTABLE DISTANCE IS 0-10MM



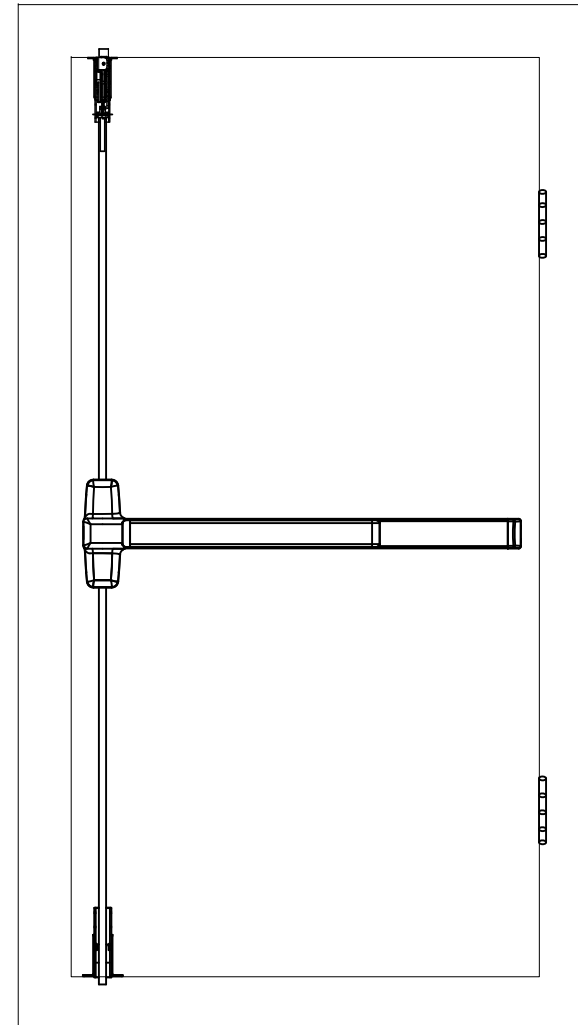
### 5) HEAD COVER INSTALLATION

- A) INSTALL THE END CUP
- B) INSTALL THE LOCKING BOLT OF TOP STRIKE
- C) PUSH THE BAR, THE LATCH AND BOLT RETRACT, WHEN RELEASE THE BAR, THE LATCH AND BOLT KEEP RETRACT. PRESS THE LOCKING BOLT, THE LATCH AND BOLT THROWN
- D) FIXING THE HEAD COVER AND END CUP

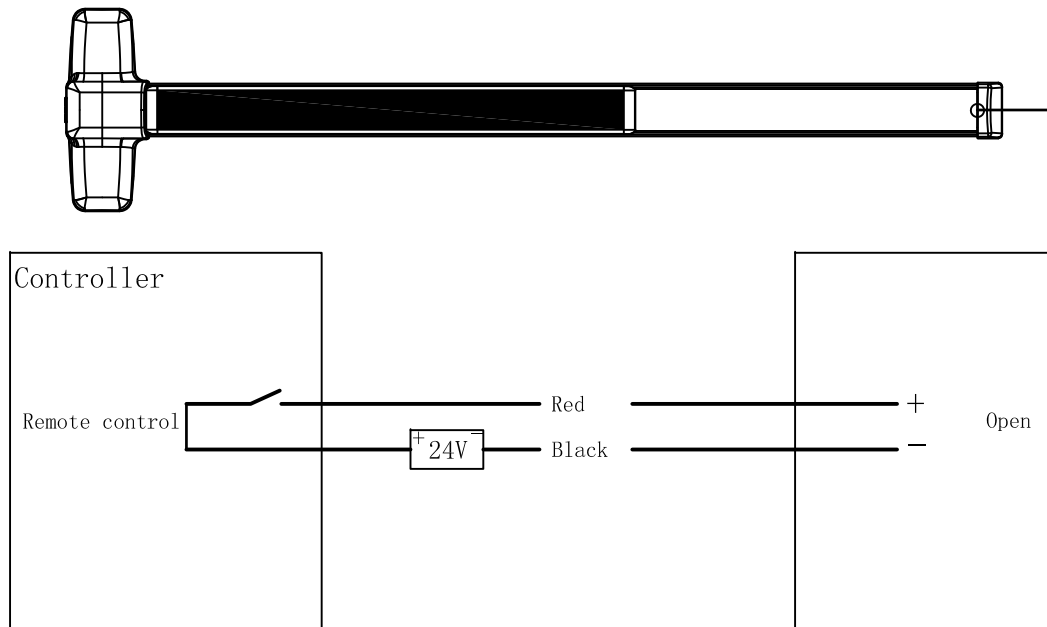


### 6) COMPLETE INSTALLATION OF THE DOOR

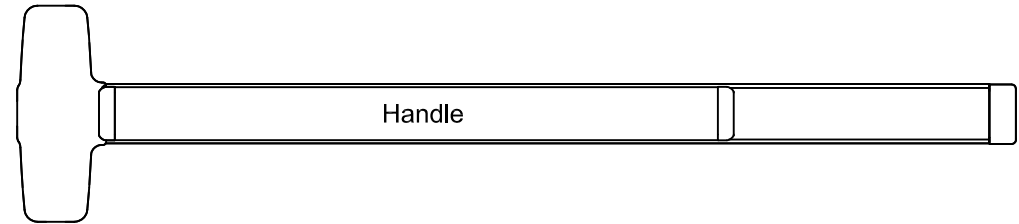
- A) HANGE THE LEAF AND INSTALL INTO THE FRAME
- B) ADJUST THE GAP OF THE DOOR, ADJUST THE TOP LATCH, MAKE THE THE DOOR WORK WELL.
- C) CHECK BOTTOM BOTTOM, MAKE SURE IT DOES'T TOUCH THE FLOOR, AND THE DISTANCE FROM THE FLOOR TO THE END OF BOLT IS NO LESS THAN 3MM.
- D) IF WITH TRIM, CHECK THE FUNCTION OF THE TRIM, MAKE SURE THE ALL FUNCTION WORK WELL.
- E) TIGHTEN THE FIXING SCREW, FINISH THE ISNTALLATION



## 5. Wiring Diagram



Port	Colour	Description
1	Red	24V+
2	Black	24V-



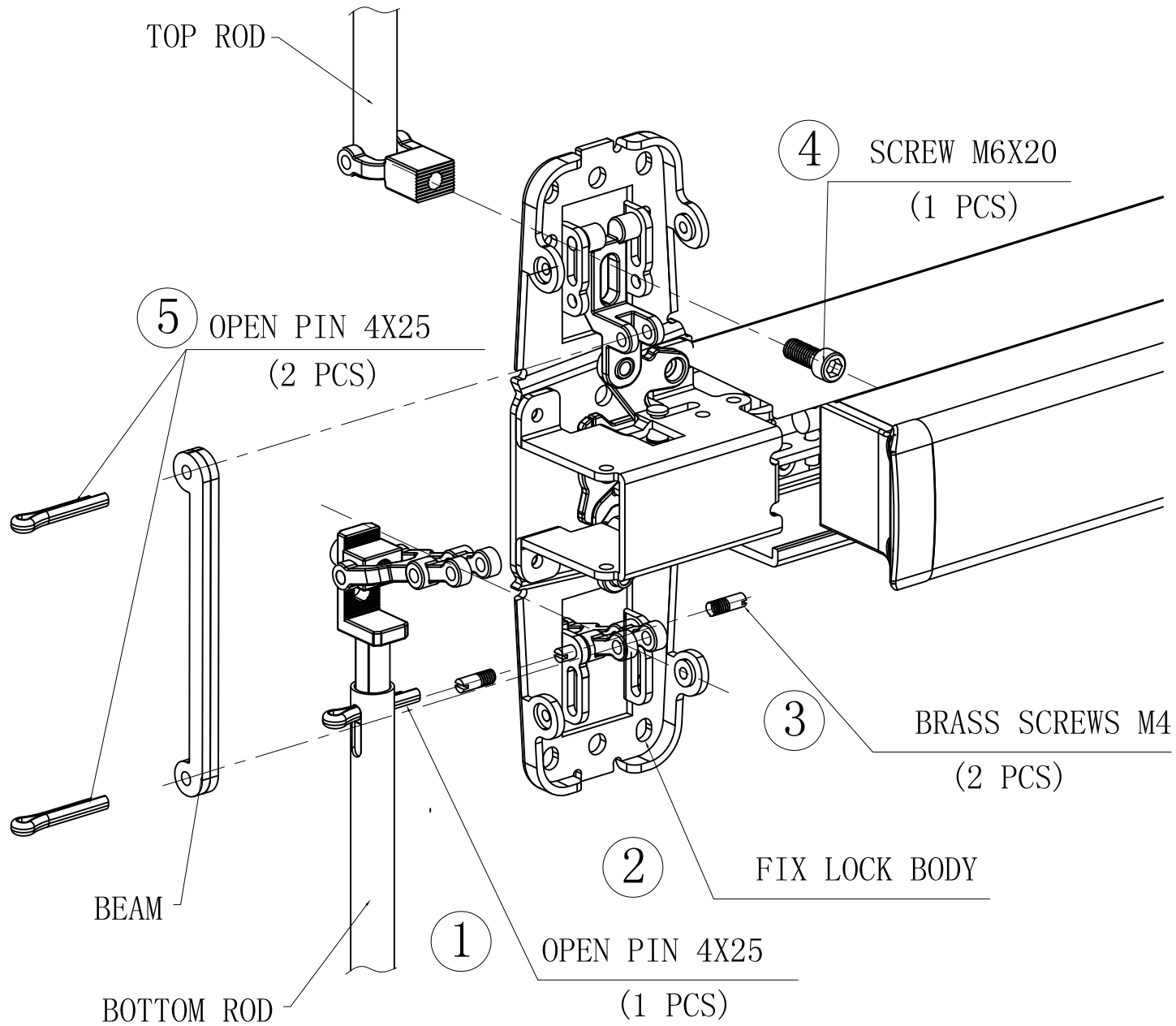
### Description:

1. The panic device will auto retract when power on and release the push bar after power off.
2. The monitor switch of handle and auxlatch is normal open until be actived and change state to close.

### Note:

1. Please follow the wiring diagram to connect the cables, improper connection may lead the device damage.
2. The power is 24V DC, not over 25V!

# DEVICE INSTALLATION EXPLODED DETAILED



# TEMPLATE FOR DEVICE

