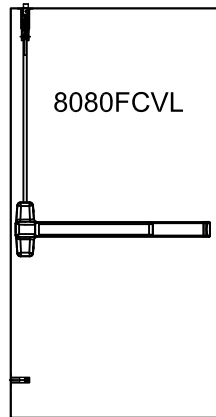


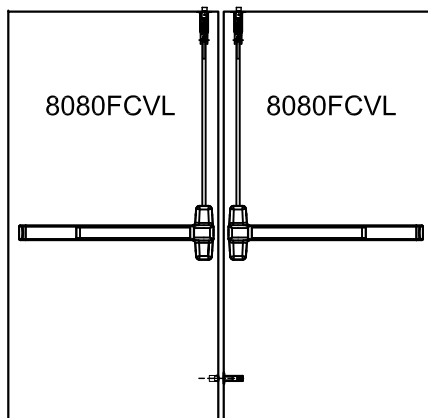
INSTALLATION INSTRUCTIONS

FOR ALUMINUM OR PROFILE DOOR

SINGLE DOOR



DOUBLE DOOR



1. PARTS CHECK

- 1) MAKE SURE THE CORRECT DEVICE IS BEING USED.
- 2) MAKE SURE ALL NEEDED PARTS ARE ON HAND.
- 3) MAKE SURE OUTSIDE TRIM (IF BEING USED) HAS BEEN PROVIDED AND IS THE CORRECT HANDING.

1) DEVICE



2) TOP LATCH



3) TOP ROD

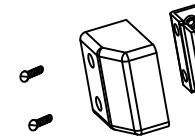


4) TOP STRIKE



(OPTIONAL)

5) END CUP



6) SCREW PACK

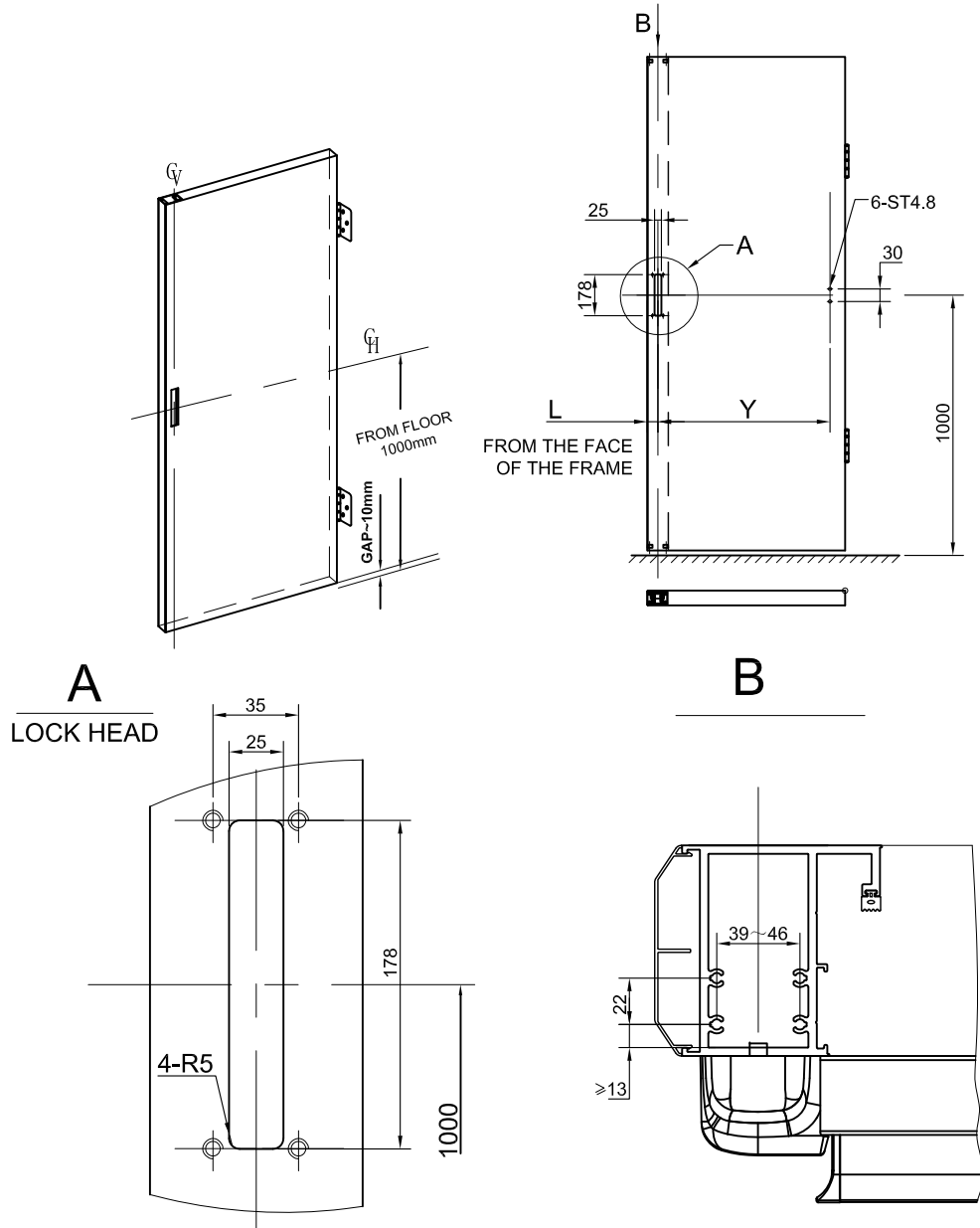


7) AUXILIARY FIRE LATCH



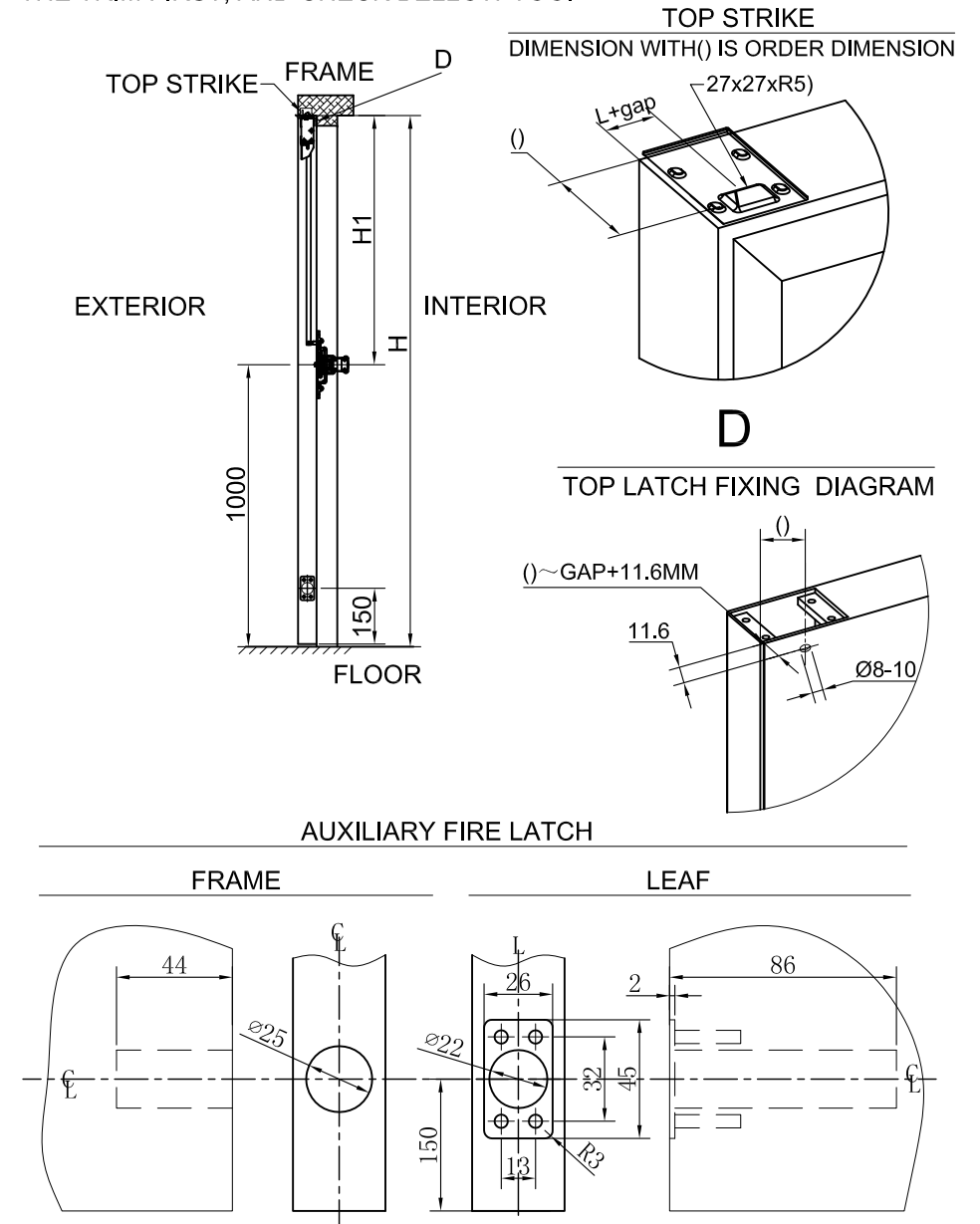
2. DOOR LAYOUT

- 1) DOOR MUST BE FITTED AND HUNG PROPERLY BEFORE PROCEEDING.
- 2) THE FRAME OF THE LEAF SHOULD BE NO LESS THAN 50x75MM
- 3) MARK VERTICAL ψ AND HORIZONTAL ϕ LINE ON DOOR AND FRAME.



3. DOOR & HARDWARE INSTALLATION

- 1) PREPARE THE STRIKE AS BELOW
- 2) IF WITH TRIM, PLEASE CHECK THE INSTALLATION INSTRUCTION OF THE TRIM FIRST, AND CHECK BELOW TOO.



4) ADJUST THE LENGTH OF DEVICE

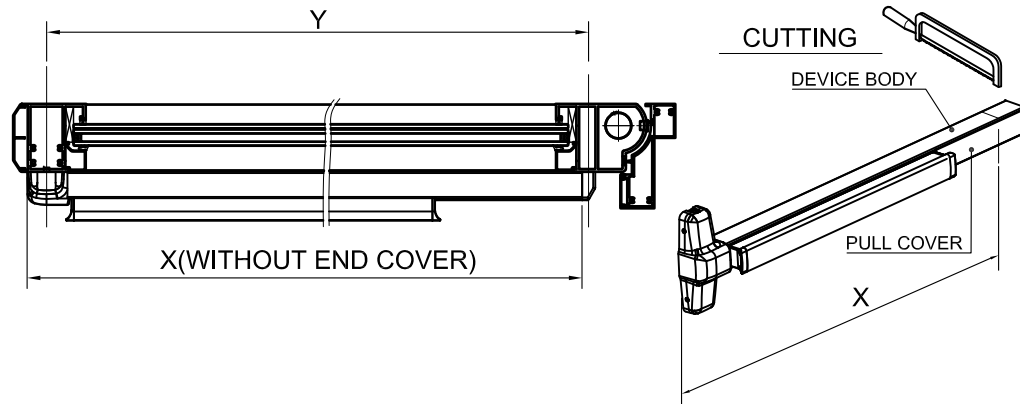
A) DELIVERY PRODUCT IS FIT FOR THE DOOR WHICH IS WIDTH 1000MM AND HEIGHT 2200±25mm.

B) IF THE WIDTH OF THE DOOR IS LESS THAN 1000mm, THE LENGTH SHOULD BE CUT TO MEET THE INSTALLATION REQUIREMENT

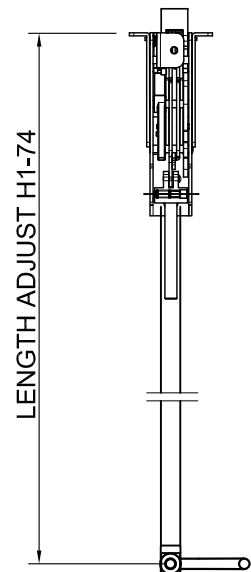
C) MEASURE THE DIMENSION OF Y

D) CALCULATE THE LENGTH X, $X=Y+25$

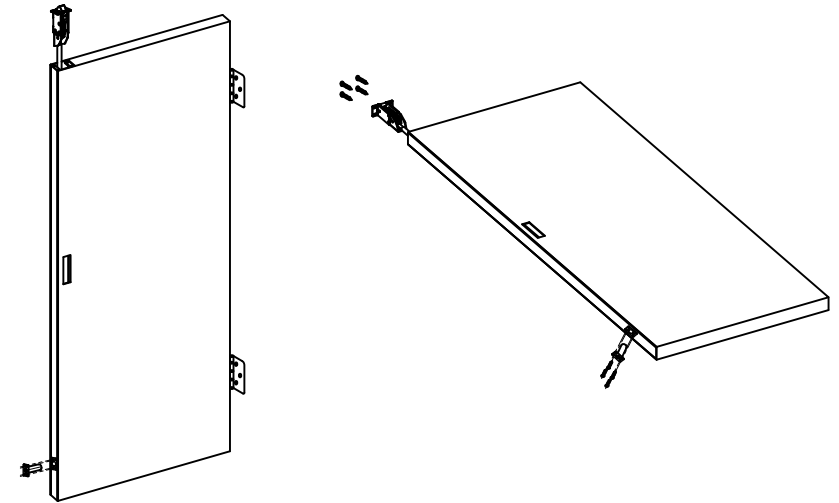
E) CUT THE LENGTH OF DEVICE TO X



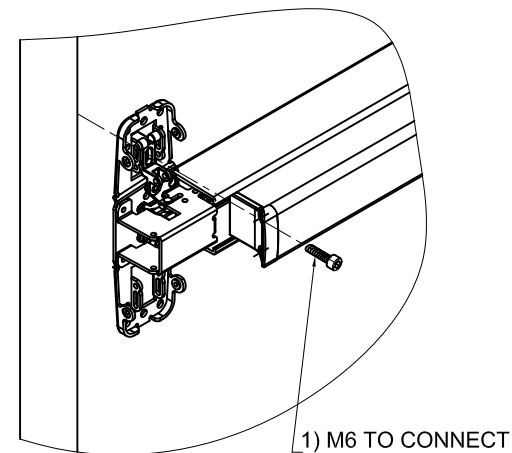
TOP LATCH



TOP LATCH, AUXILIARY FIRE LATCH INSTALLATION

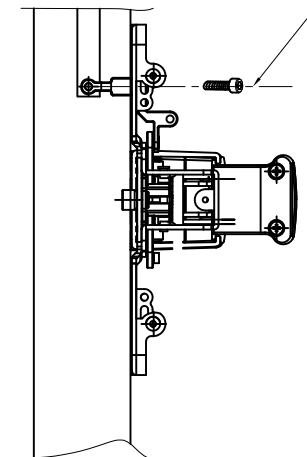


DEVICE INSTALLATION



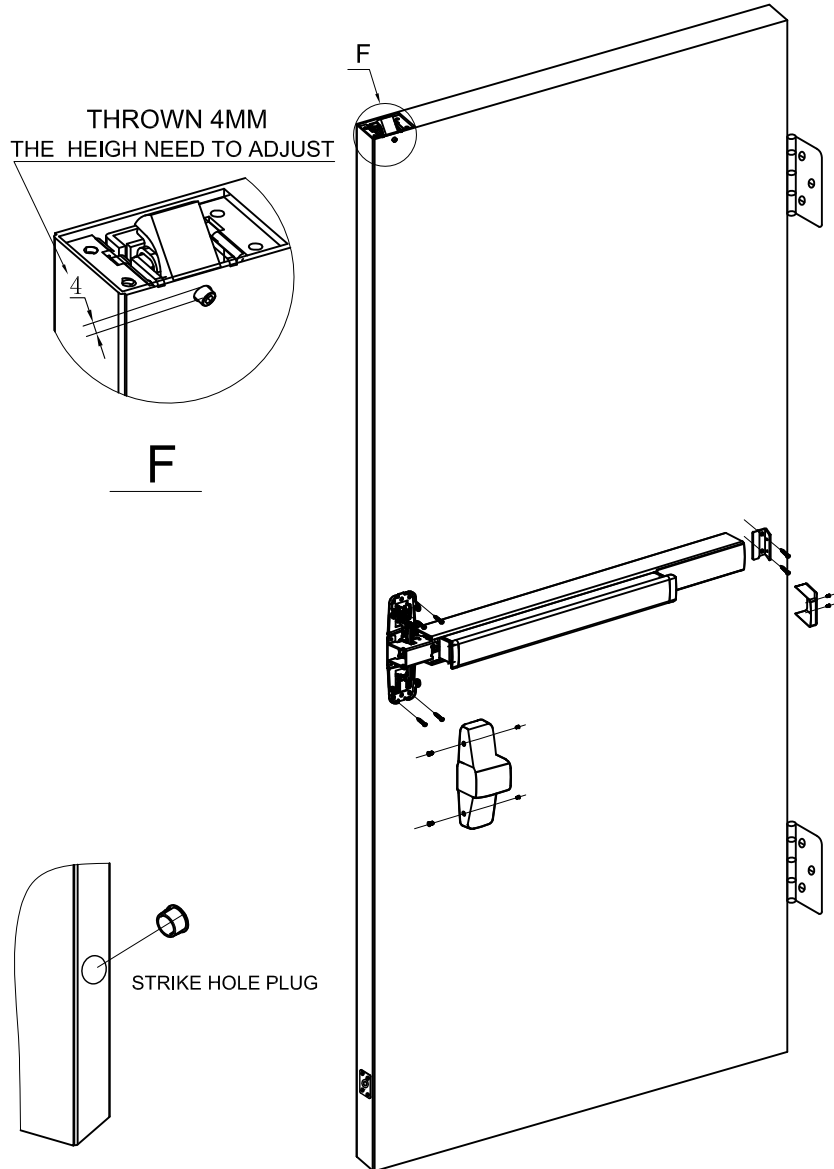
CMPA010 INSTALLATION

ADJUST THIS BOLT TO ADJUST DISTANCE OF TOP ROD
ADJUSTABLE DISTANCE IS 0-10MM



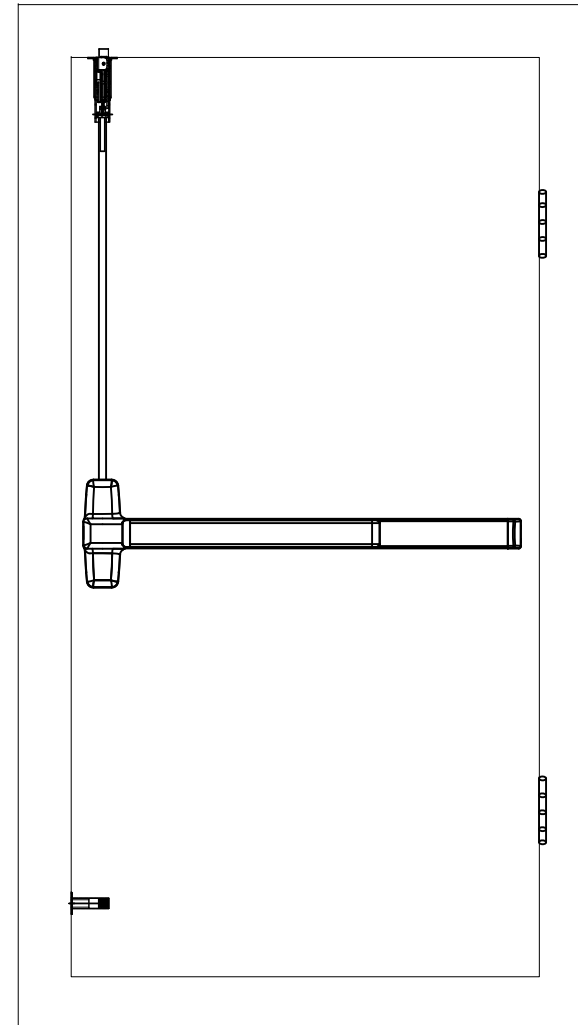
5) HEAD COVER INSTALLATION

- A) INSTALL THE END CUP
- B) INSTALL THE LOCKING BOLT OF TOP STRIKE
- C) PUSH THE BAR, THE LATCH RETRACT, WHEN RELEASE THE BAR, THE LATCH KEEP RETRACT. PRESS THE LOCKING BOLT, THE LATCH THROWN
- D) FIXING THE HEAD COVER AND END CUP
- E) FIXING THE AUXILIARY LATCH AND STRIKE HOLE PLUG

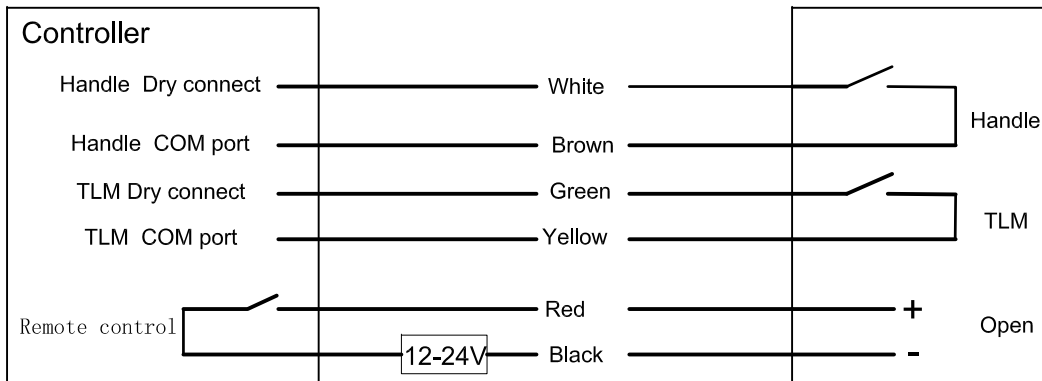
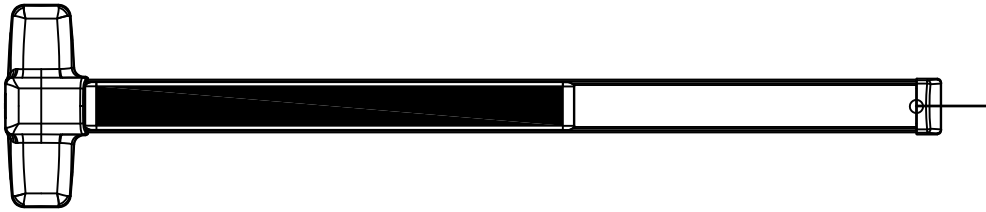


6) COMPLETE INSTALLATION OF THE DOOR

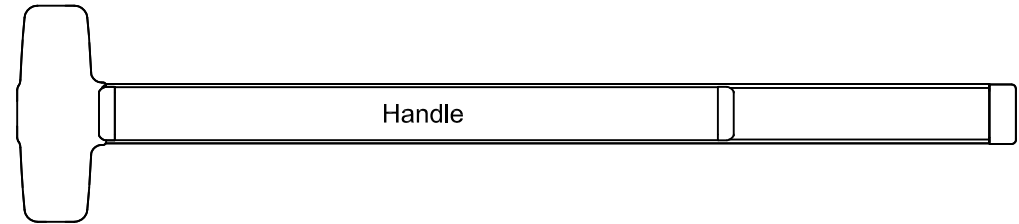
- A) HANGE THE LEAF AND INSTALL INTO THE FRAME
- B) ADJUST THE GAP OF THE DOOR, ADJUST THE TOP LATCH, MAKE THE THE DOOR WORK WELL.
- C) IF WITH TRIM, CHECK THE FUNCTION OF THE TRIM, MAKE SURE THE ALL FUNCTION WORK WELL.
- D) TIGHTEN THE FIXING SCREW, FINISH THE ISNTALLATION



4. Wiring Diagram



Port	Colour	Description
1	White	Handle Dry connect
2	Brown	Handle COM port
3	Green	TLM Dry connect
4	Yellow	TLM COM port
5	Red	12-24V+
6	Black	12-24V-



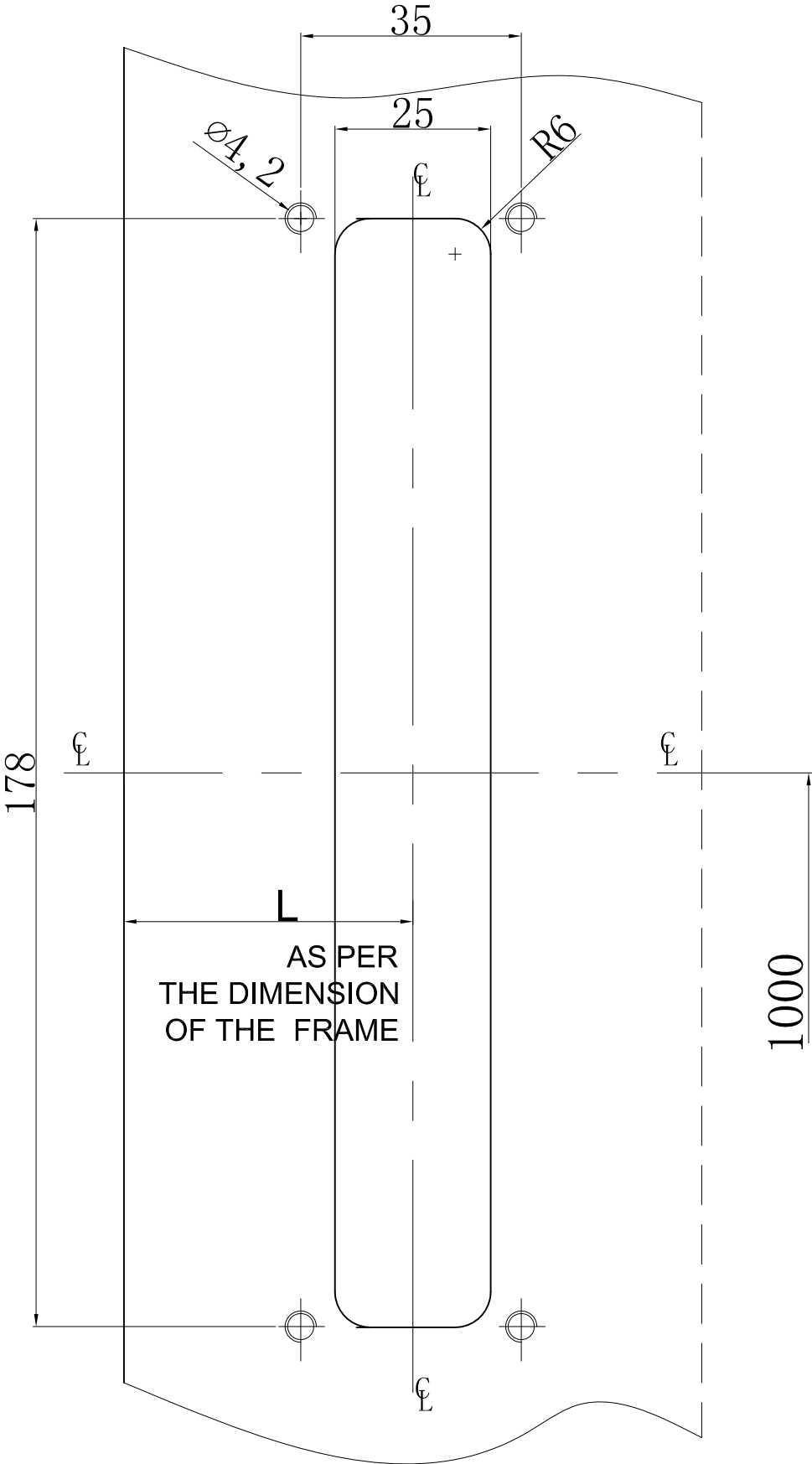
Description:

1. The panic device will auto retract when power on and release the push bar after power off.
2. The monitor swith of handle and auxlatch is normal open untill be actived and change state to close.

Note:

1. Please follow the wiring diagram to connect the cables, improper connection may lead the device damage.
2. The power is 24V DC, not over 25V!

TEMPLATE FOR DEVICE



TEMPLATE FOR AUXILIARY FIRE LATCH

