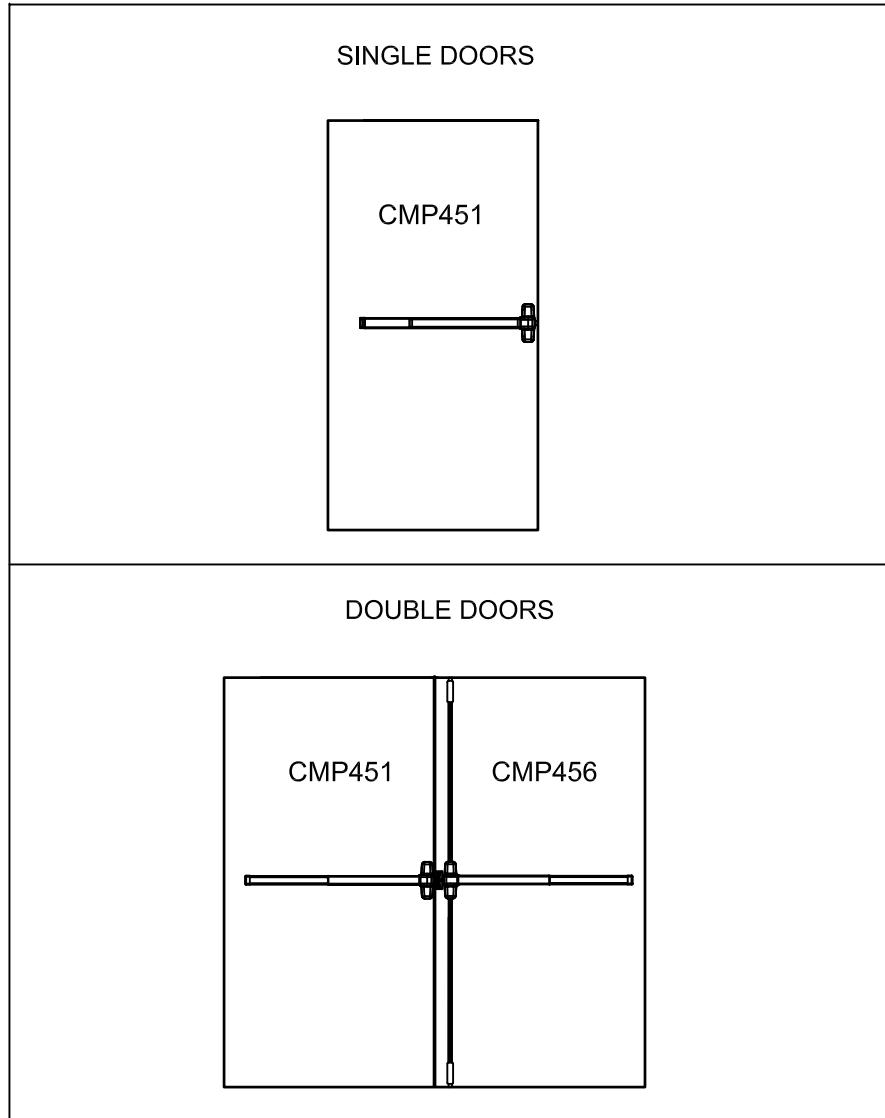



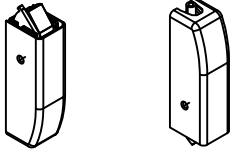
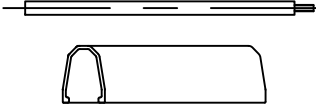
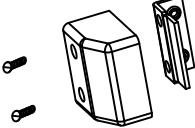
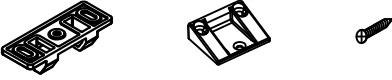


INSTALLATION INSTRUCTIONS

DEVICE APPLICATION



1. PARTS CHECK

- 1) MAKE SURE THE CORRECT DEVICE IS BEING USED.
- 2) MAKE SURE ALL NEEDED PARTS ARE ON HAND.

<p>1) DEVICE</p> 	<p>5) TOP AND BOTTOM LATCH, 2 PCS</p> 
<p>2) SCREW ROD 2 PCS; COVER 2 PCS</p> 	<p>6) MOUNTING BRACKET AND END CAP WITH M4X10 SCREW(1 SET)</p> 
<p>3) STRIKE WITH SCREW</p>  <p>TOP STRIKE (1 PCS) BOTTOM STRIKE (1 PCS)</p>	<p>7) SCREW PACK</p> 
<p>4) SCREW PACK</p>  <p>BRACKET (2 PCS)</p>	

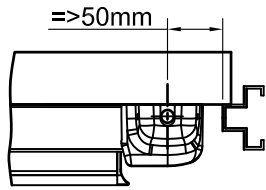
- 3) MAKE SURE OUTSIDE TRIM (IF BEING USED) HAS BEEN PROVIDED AND IS THE CORRECT HANDING.

2. DOOR LAYOUT

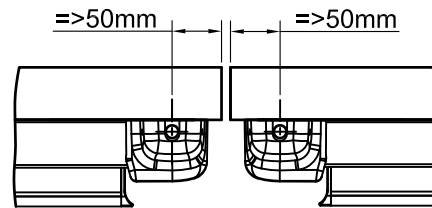
- 1) DOOR MUST BE FITTED AND HUNG PROPERLY BEFORE PROCEEDING.
- 2) MARK VERTICAL C AND HORIZONTAL C ON DOOR AND FRAME.

A) VERTICAL C :

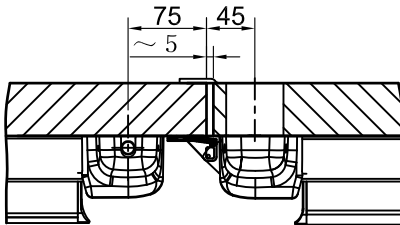
SINGLE DEVICE



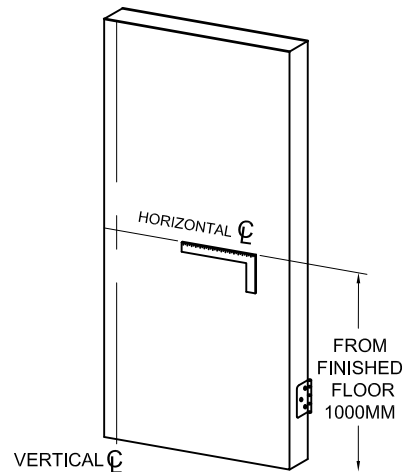
TWO VERTICAL ROD DEVICES



VERTICAL ROD x RIM DEVICE

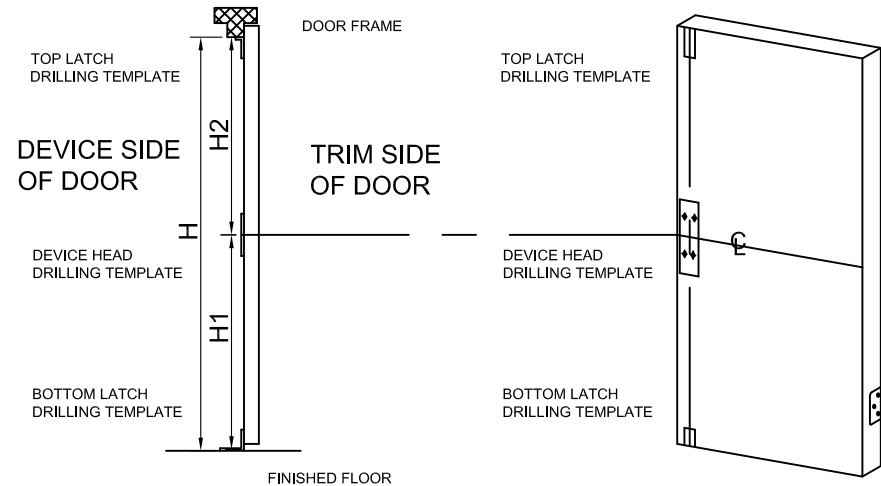


B) HORIZONTAL C :



3. DOOR & HARDWARE PREPARATION

- 1) TAPE DRILLING TEMPLATES ON DOOR USING VERTICAL AND HORIZONTAL C .



- 2) PREPARE HOLES FOR DEVICE, STRIKES AND PULLMAN.

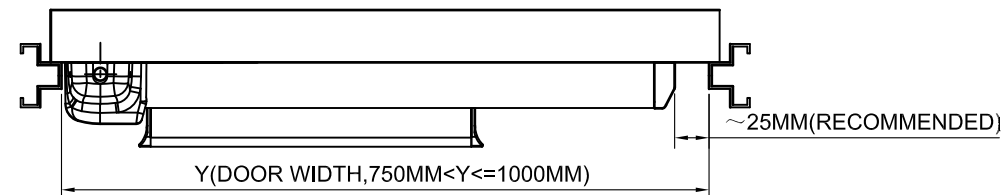
- 3) IF USING OUTSIDE TRIM, PREPARE DOOR USING SEPARATE TRIM DIRECTION SHEET.

- 2) DETERMINE DEVICE LENGTH.

A) THE STANDARD DEVICE IS FIT FOR THE DOOR WIDTH FROM 750MM TO 1000MM, AND UP TO 2300mm HIGH. (IF OUTSIDE OF THE SPECIFICATION, THE ORDER SHOULD MARK THE REQUIREMENT.)

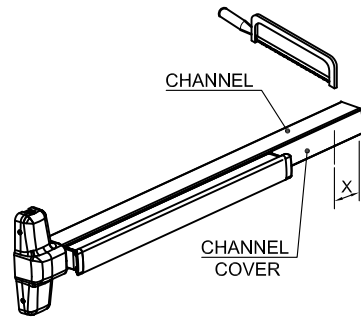
B) MEASURE THE DOOR WIDTH OF "Y".

C) LENGTH OF DEVICE TO BE CUTTED IS "X": $X=1000-Y$

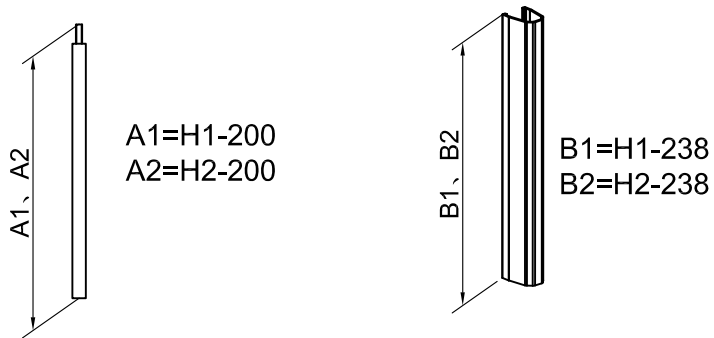


- 3) IF DOOR WIDTH IS LESS THAN 1000MM, CUT THE DEVICE.
 A) MARK THE DEVICE FROM THE END TO THE LENGTH "X".
 B) CUT BOTH CHANNEL AND CHANNEL COVER TO MARKED DIMENSION AND REMOVE BURRS.

NOTE: FACTORY RECOMMENDS SAWING RATHER THAN GRIND CUT TO SIZE. GRINDING CAN DAMAGE THE FINISH OF THE DEVICE AND SAWING RESULTS IN LESS DAMAGE TO THE DEVICES'S FINISH.



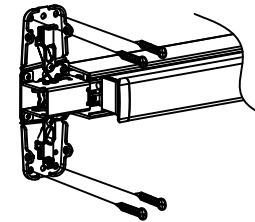
- 6) CUT THE LENGTH OF THE SCREW ROD AND COVER ACCORDING TO BELLOW LENGTH REQUIREMENT.



4. HARDWARE INSTALLATION

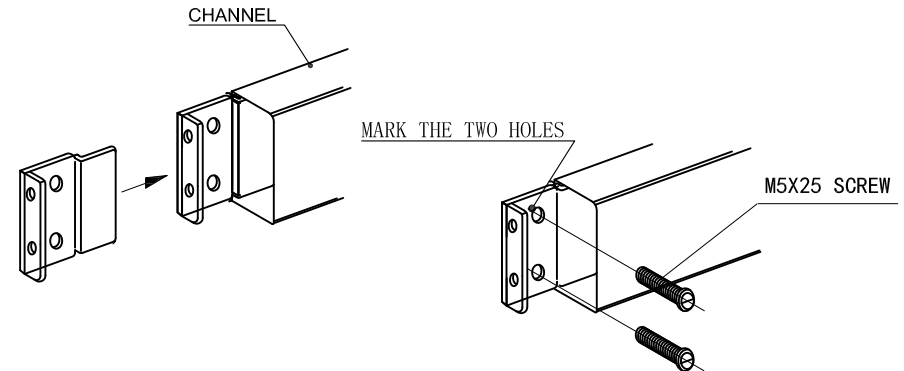
- 1) IF USING OUTSIDE TRIM OR SEXBOLTS, MOUNT TRIM PER DIRECTIONS IN TRIM BOX.

- 2) FIX DEVICE BY SEXUALBOLT AND THROUGH BOLT.

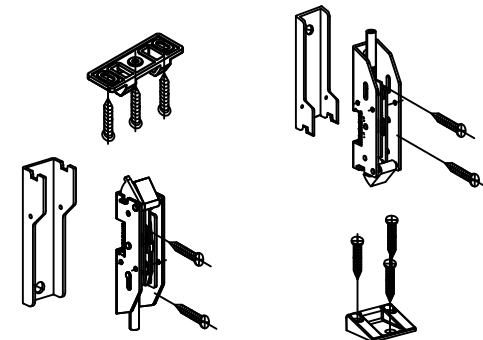


- 3) INSTALL END CAP MOUNTING BRACKET USING MOUNTING SCREW.

- A) SLIDE MOUNTING BRACKET INTO CHANNEL.
 B) MARK MOUNTING HOLES, AND PREPARE THE HOLES.
 C) INSTALL MOUNTING SCREWS



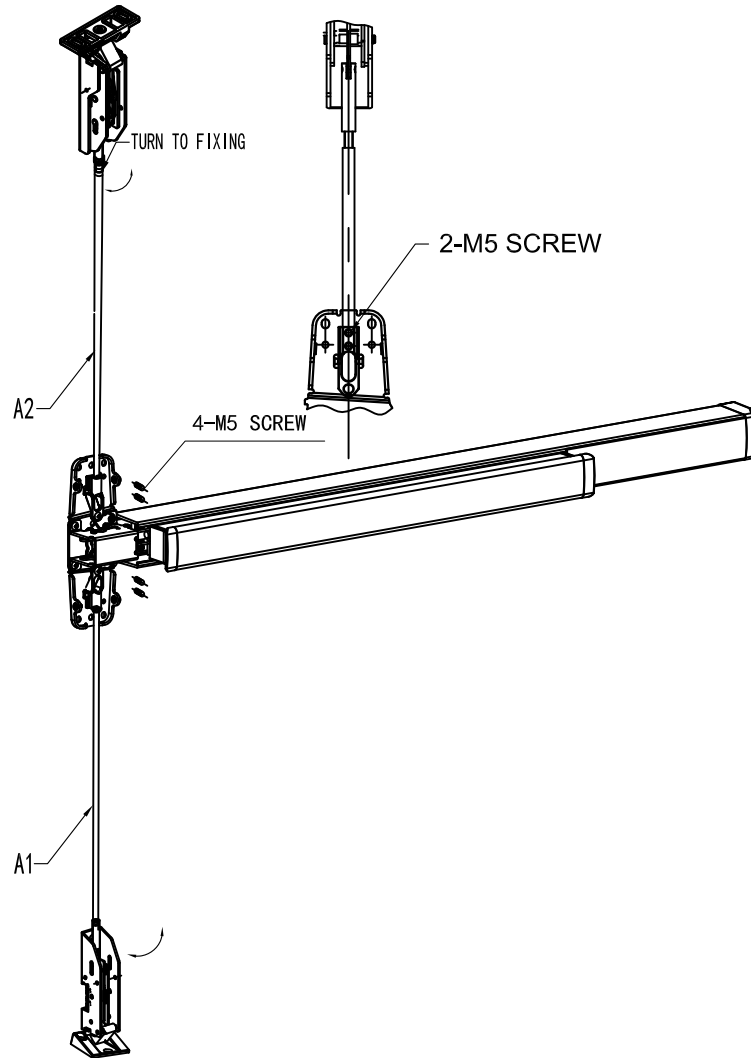
- 4) INSTALL TOP STRIKE AND BOTTOM STRIKES, AND THEN INSTALL PULLMAN LATCH BODIES TO ENSURE THAT THE LATCHBOLTS ENGAGE SECURELY TO THE STRIKE.



5) INSTALL TOP THREADED ROD INTO CONNECTOR PIECE ON TOP PULLMAN LATCH, HOLD THREADED ROD IN VERTICAL POSITION READY TO CONNECT WITH MAIN DEVICE.

THIS WILL ALLOW YOU TO MARK THE ROD GUIDES POSITIONS AND FIX INTO PLACE. NOW CONNECT MAIN THREADED ROD TO THE ROD CONNECTION ON THE DEVICE AND SCREW INTO PLACE USING FIXING SCREW.

TEST THE UNIT TO ENSURE CORRECT OPERATION



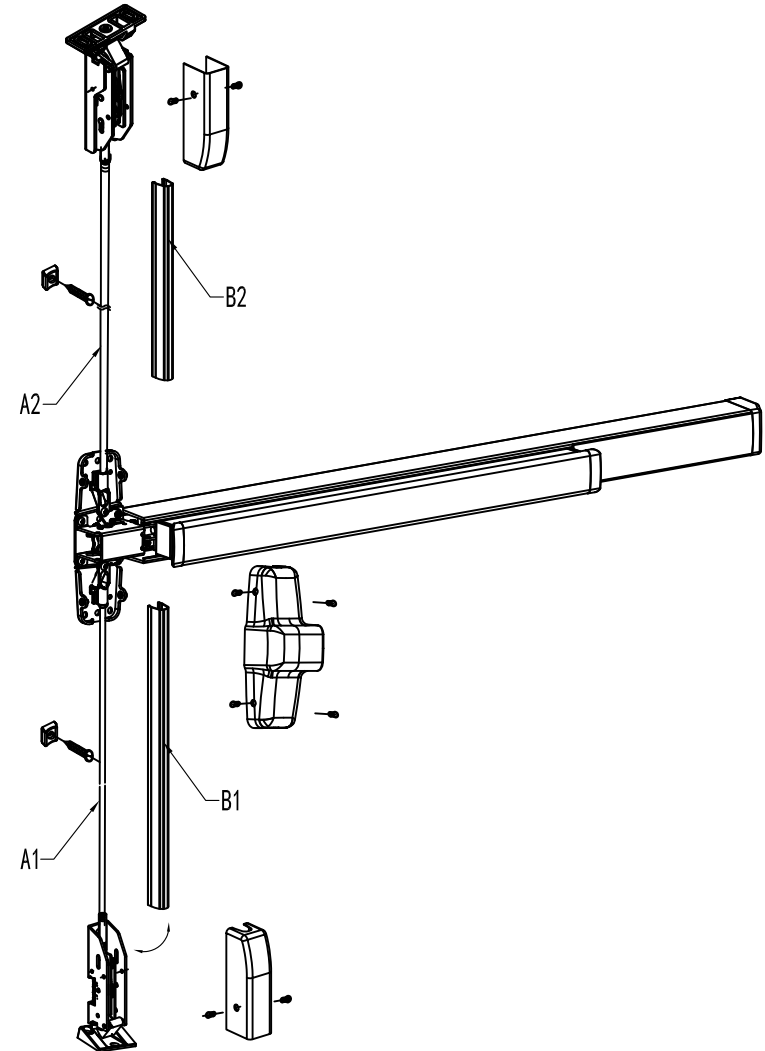
6) INSTALL EACH COVER IN CORRECT SEQUENCE AND TEST THE PRODUCT AT EACH STAGE TO ENSURE CORRECT OPERATION.

A) INSTALL ROD COVERS (AGAIN MAY NEED TO BE CUT TO SIZE) OPERATE THE UNIT TO CHECK FOR BINDING ENSURE ROD COVER IS NOT TOO LONG TO PREVENT THE PULLMAN LATCH MECHANISM FROM OPERATING.

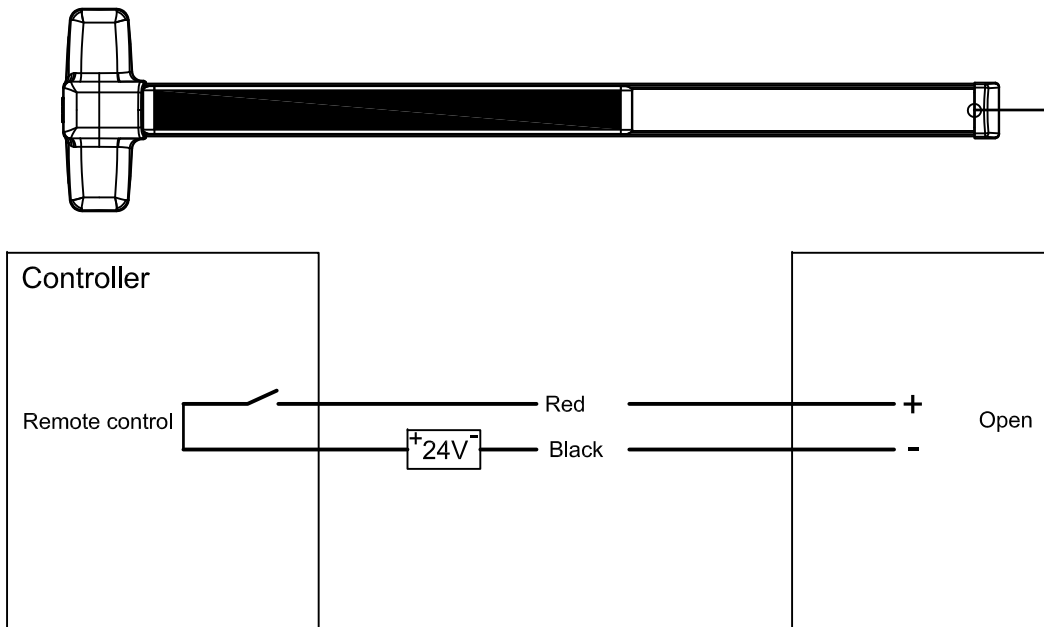
B) INSTALL MAIN DEVICE HEAD COVER, TEST THE UNIT TO ENSURE CORRECT OPERATION.

C) INSTALL DEVICE END CAP ONTO MOUNTING BRACKET.

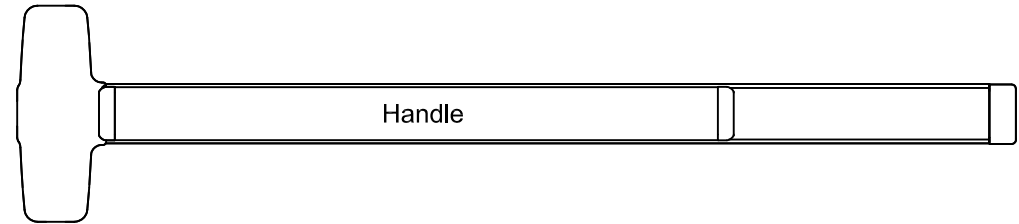
D) INSTALL PULLMAN LATCH COVERS AND TEST THE UNIT TO ENSURE CORRECT OPERATION.



5. Wiring Diagram



Port	Colour	Description
1	Red	24V+
2	Black	24V-



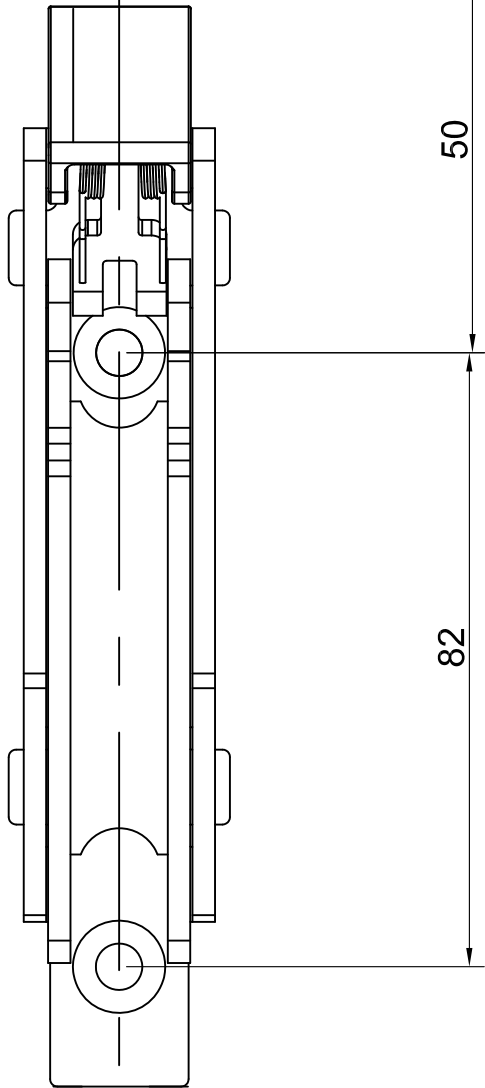
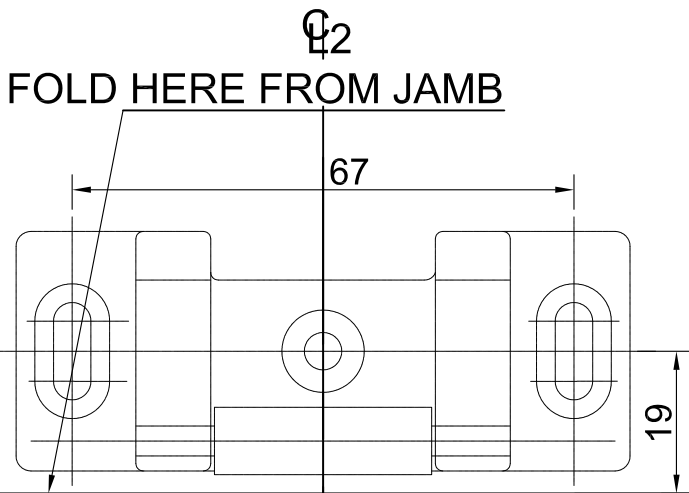
Description:

1. The panic device will auto retract when power on and release the push bar after power off.
2. The monitor switch of handle and auxlatch is normal open until be actived and change state to close.

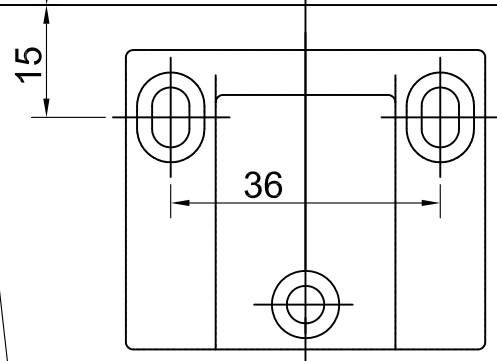
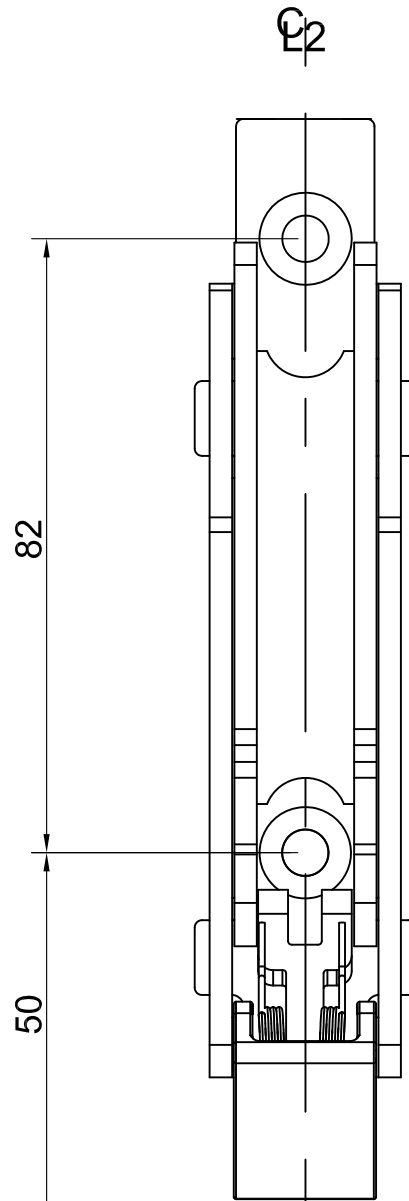
Note:

1. Please follow the wiring diagram to connect the cables, improper connection may lead the device damage.
2. The power is 24V DC, not over 25V!

TEMPLATE OF TOP LATCH
AND TOP STRIKE

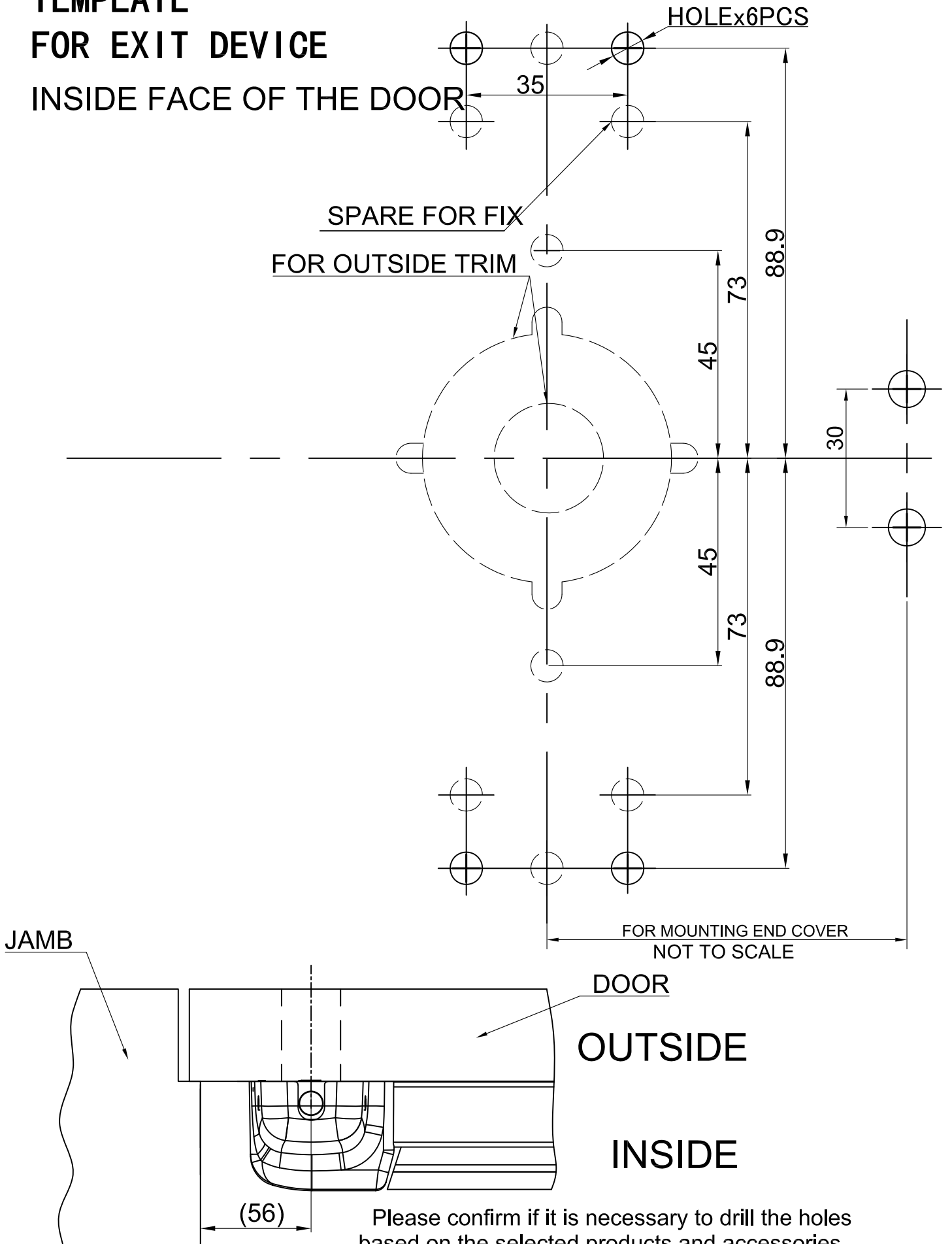


TEMPLATE OF BOTTOM LATCH
AND BOTTOM STRIKE



FOLD HERE FROM JAMB

**TEMPLATE
FOR EXIT DEVICE
INSIDE FACE OF THE DOOR**



Please confirm if it is necessary to drill the holes based on the selected products and accessories.
(Note: no need to drill the holes if use wood/taper screws.)