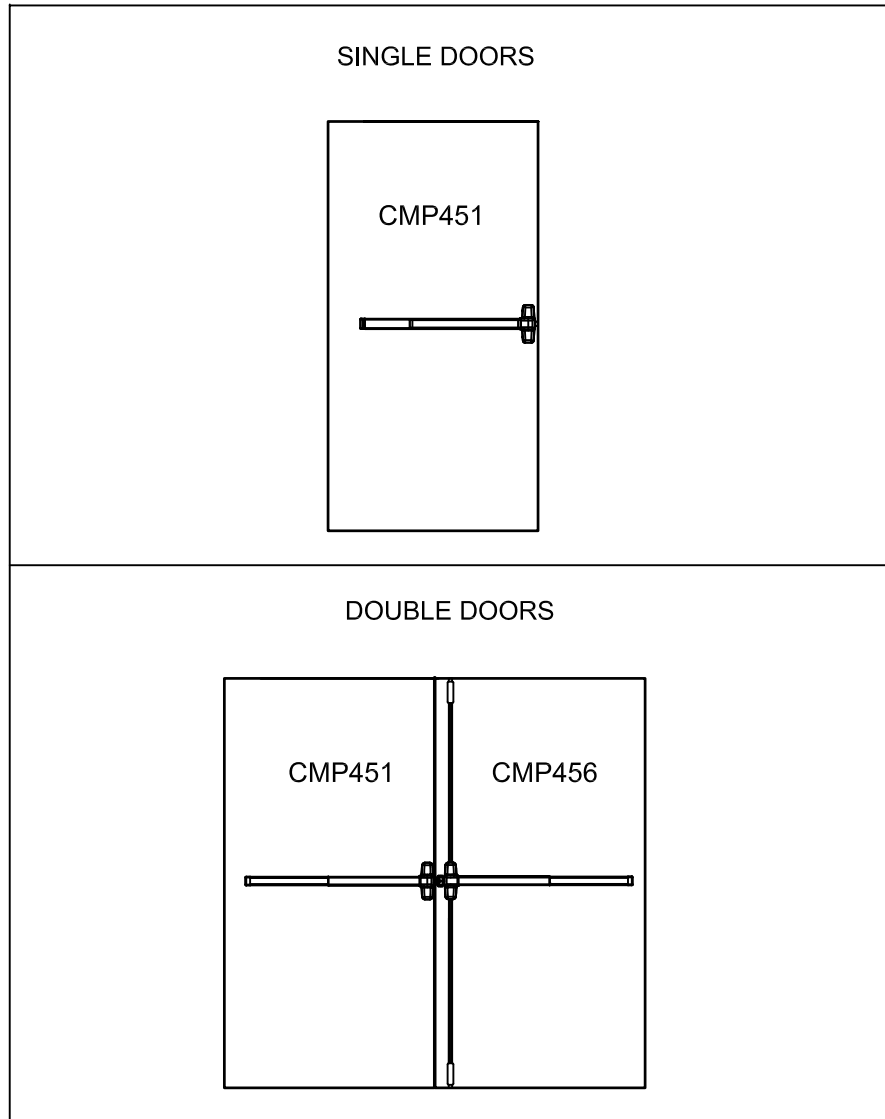


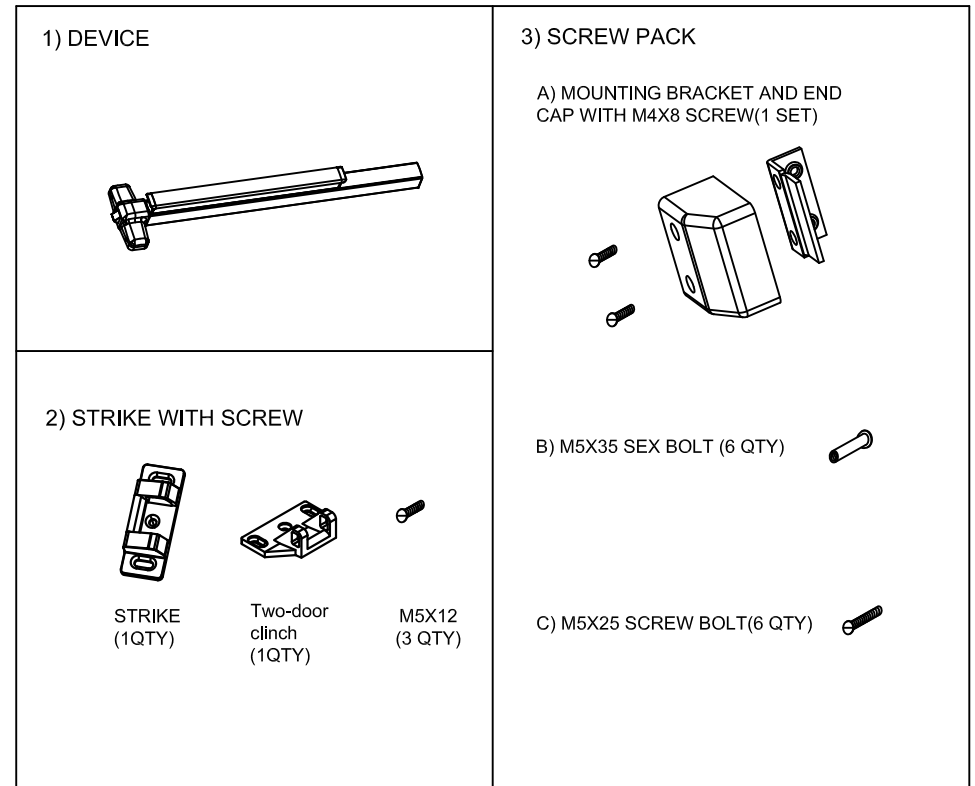
INSTALLATION INSTRUCTIONS

DEVICE APPLICATION



1. PARTS CHECK

- 1) MAKE SURE THE CORRECT DEVICE IS BEING USED.
- 2) MAKE SURE ALL NEEDED PARTS ARE ON HAND.



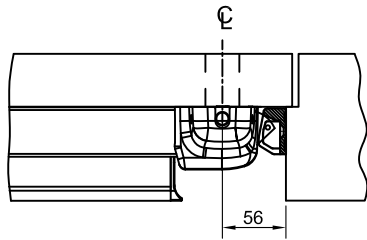
- 3) MAKE SURE OUTSIDE TRIM (IF BEING USED) HAS BEEN PROVIDED AND IS THE CORRECT HANDING.

2. DOOR LAYOUT

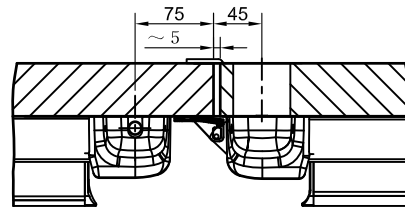
- 1) DOOR MUST BE FITTED AND HUNG PROPERLY BEFORE PROCEEDING.
- 2) MARK VERTICAL \varnothing AND HORIZONTAL \varnothing ON DOOR AND FRAME.

A) VERTICAL \varnothing :

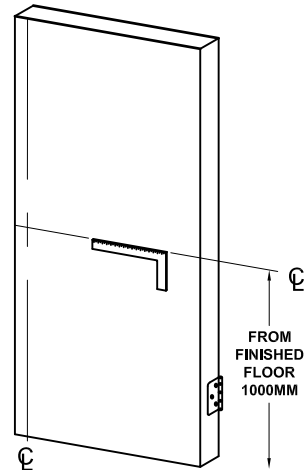
SINGLE DOOR APPLICATION



DOUBLE DOOR APPLICATION RIM DEVICE x VERTICAL ROD

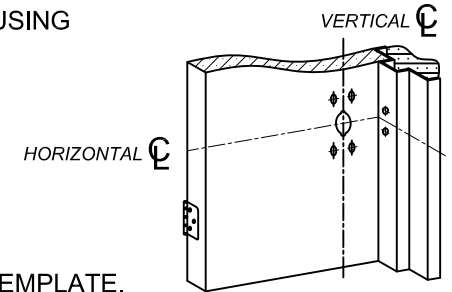


B) HORIZONTAL \varnothing :



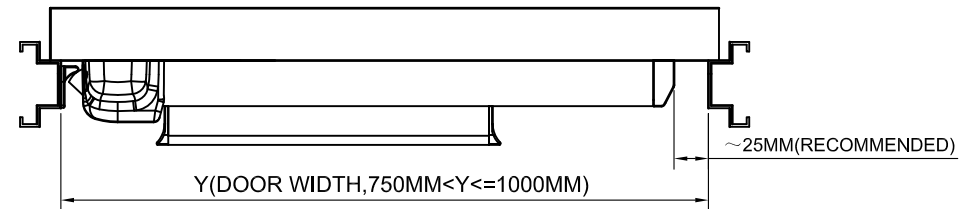
3. DOOR & HARDWARE PREPARATION

- 1) TAPE DRILLING TEMPLATE ON DOOR USING VERTICAL \varnothing AND HORIZONTAL \varnothing



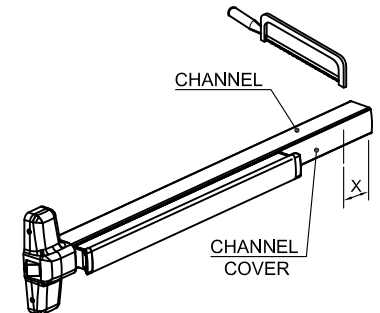
- 2) TAP HOLES AS REQUIRED, REMOVE TEMPLATE.
- 3) IF USING OUTSIDE TRIM, PREPARE DOOR USING SEPARATE TRIM DIRECTION SHEET.
- 4) DETERMINE DEVICE LENGTH.

- A) THE STANDARD DEVICE IS FIT FOR THE DOOR WIDTH FROM 750MM TO 1000MM, AND UP TO 2300mm HIGH. (IF OUTSIDE OF THE SPECIFICATION, THE ORDER SHOULD MARK THE REQUIREMENT.)
- B) MEASURE THE DOOR WIDTH OF "Y".
- C) LENGTH OF DEVICE TO BE CUTTED IS "X": $X=1000-Y$



- 5) IF DOOR WIDTH IS LESS THAN 1000MM, CUT THE DEVICE.
 - A) MARK THE DEVICE FROM THE END TO THE LENGTH "X".
 - B) CUT BOTH CHANNEL AND CHANNEL COVER TO MARKED DIMENSION AND REMOVE BURRS.

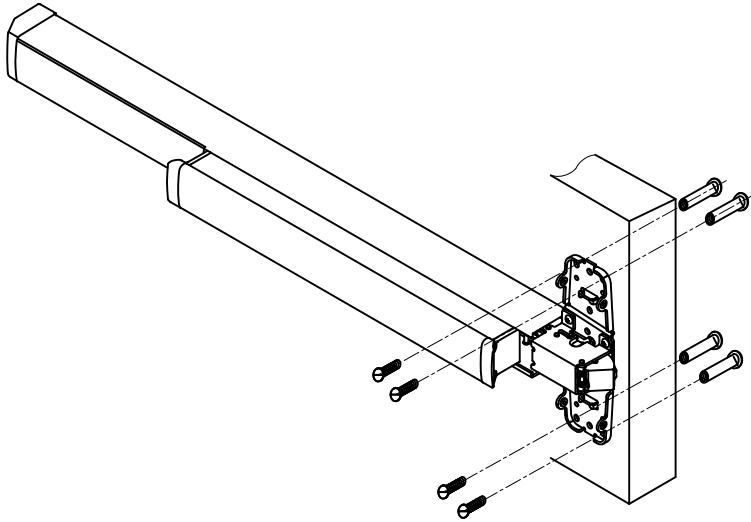
NOTE: FACTORY RECOMMENDS SAWING RATHER THAN GRIND CUT TO SIZE. GRINDING CAN DAMAGE THE FINISH OF THE DEVICE AND SAWING RESULTS IN LESS DAMAGE TO THE DEVICES'S FINISH.



4. HARDWARE INSTALLATION

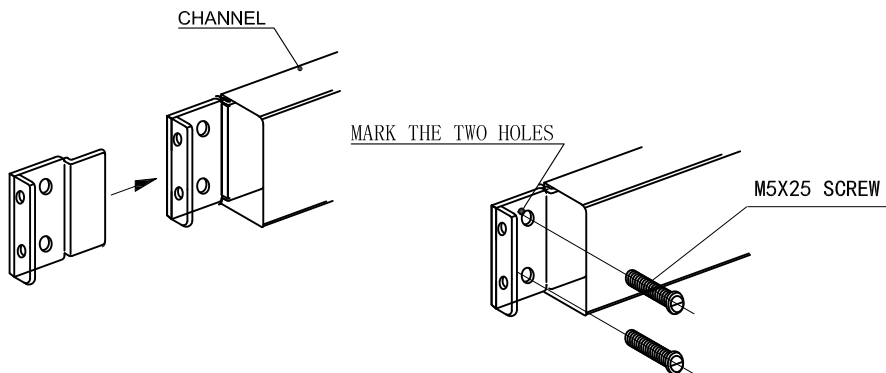
1) IF USING OUTSIDE TRIM OR SEXBOLTS, MOUNT TRIM PER DIRECTIONS IN TRIM BOX, OR INSTALL OUTSIDE SEX BOLTS.

2) FIX THE DEVICE BY SEXBOLTS AND THROUGHBOLT.

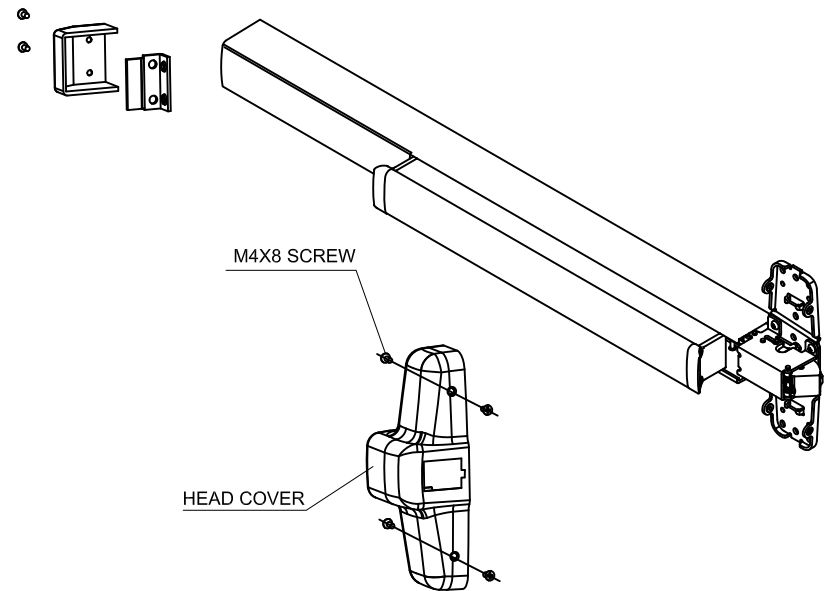


3) INSTALL END CAP MOUNTING BRACKET USING MOUNTING SCREW.

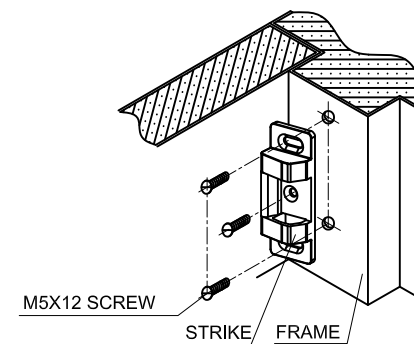
- A) SLIDE MOUNTING BRACKET INTO CHANNEL.
- B) MARK MOUNTING HOLES, AND PREPARE THE HOLES.
- C) INSTALL MOUNTING SCREWS.
- D) INSTALL END CAP.



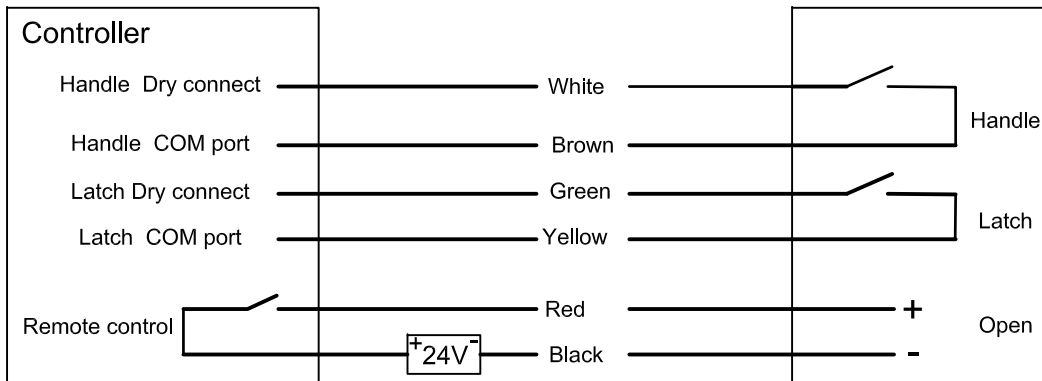
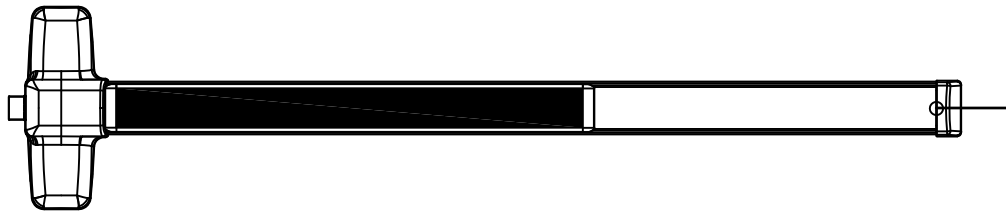
4) INSTALL HEAD COVER AND END CAP.



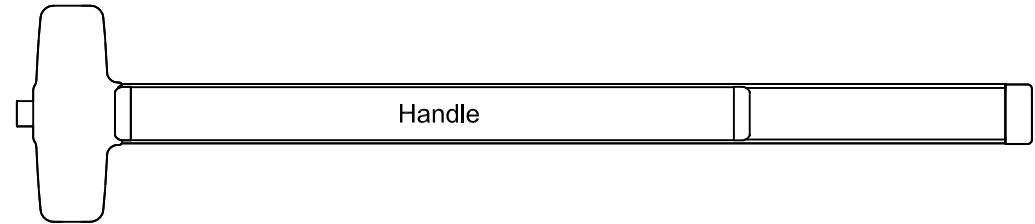
5) INSTALL STRIKE. CHECK THAT DEVICE OPERATES SMOOTHLY AND THAT LATCH BOLT ENGAGES SECURELY. ADJUST STRIKE IF REQUIRED.



5. Wiring Diagram



Port	Colour	Description
1	White	Handle Dry connect
2	Brown	Handle COM port
3	Green	Latch Dry connect
4	Yellow	Latch COM port
5	Red	24V+
6	Black	24V-



Description:

1. The panic device will auto retract when power on and release the push bar after power off.
2. The monitor switch of handle and auxlatch is normal open until be activated and change state to close.

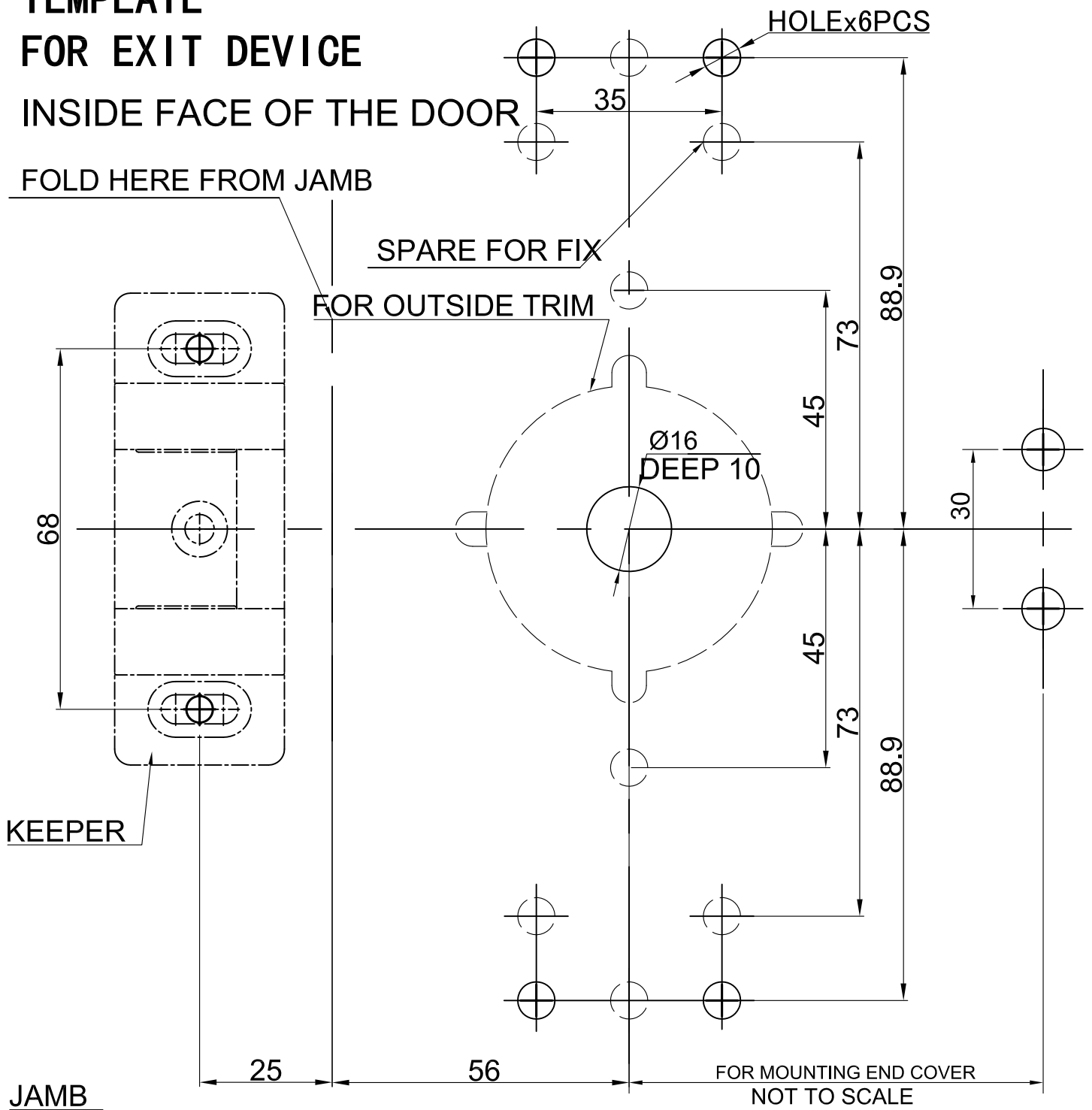
Note:

1. Please follow the wiring diagram to connect the cables, improper connection may lead the device damage.
2. The power is 24V DC, not over 25V!

TEMPLATE FOR EXIT DEVICE

INSIDE FACE OF THE DOOR

FOLD HERE FROM JAMB



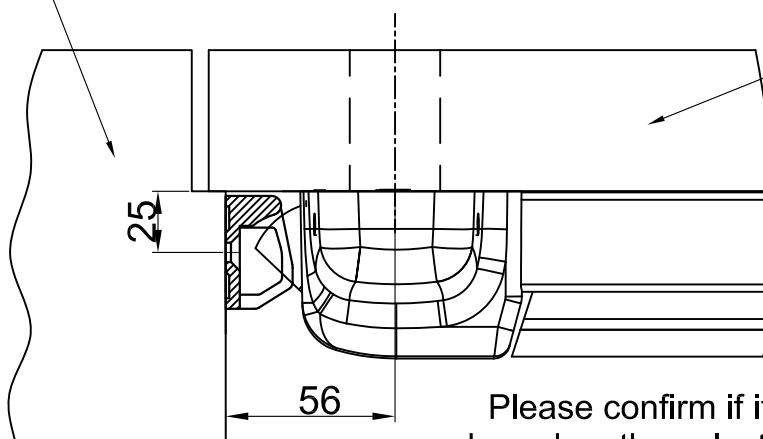
KEEPER

JAMB

DOOR

OUTSIDE

INSIDE



Please confirm if it is necessary to drill the holes based on the selected products and accessories.
 (Note: no need to drill the holes if use wood/taper screws.)

