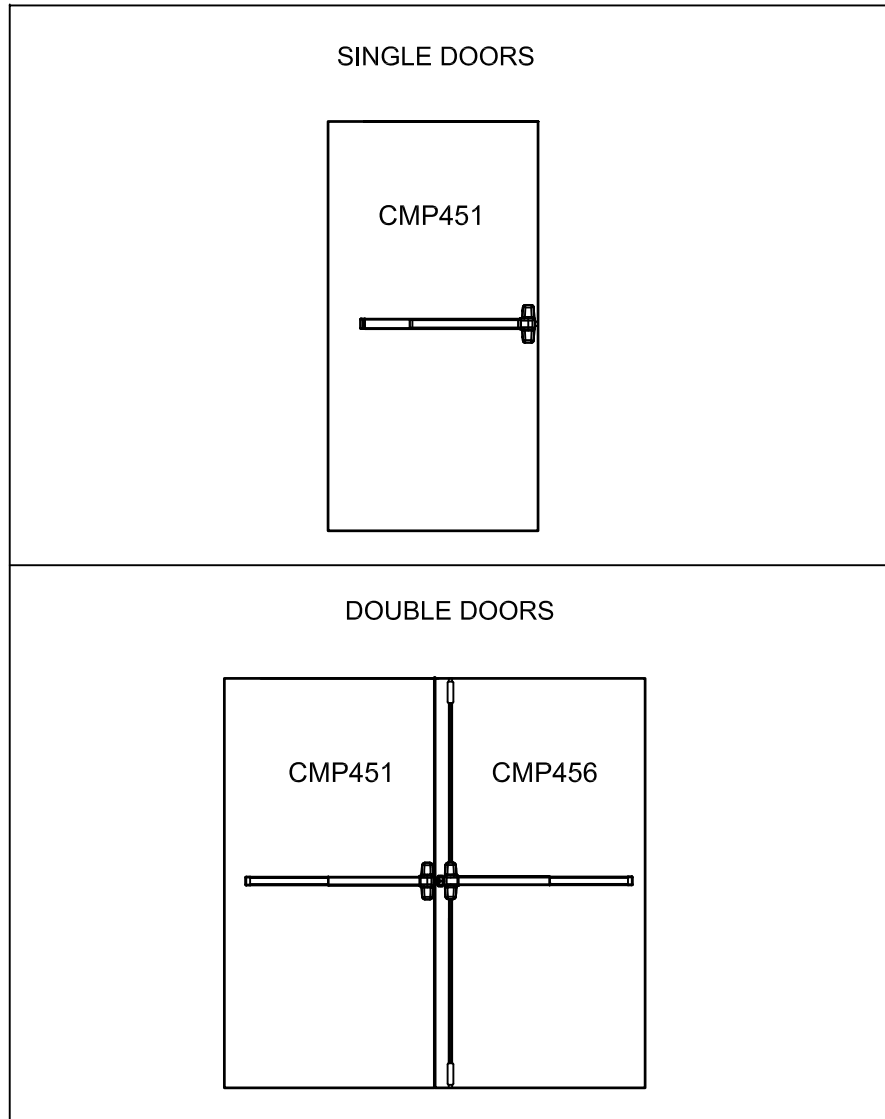


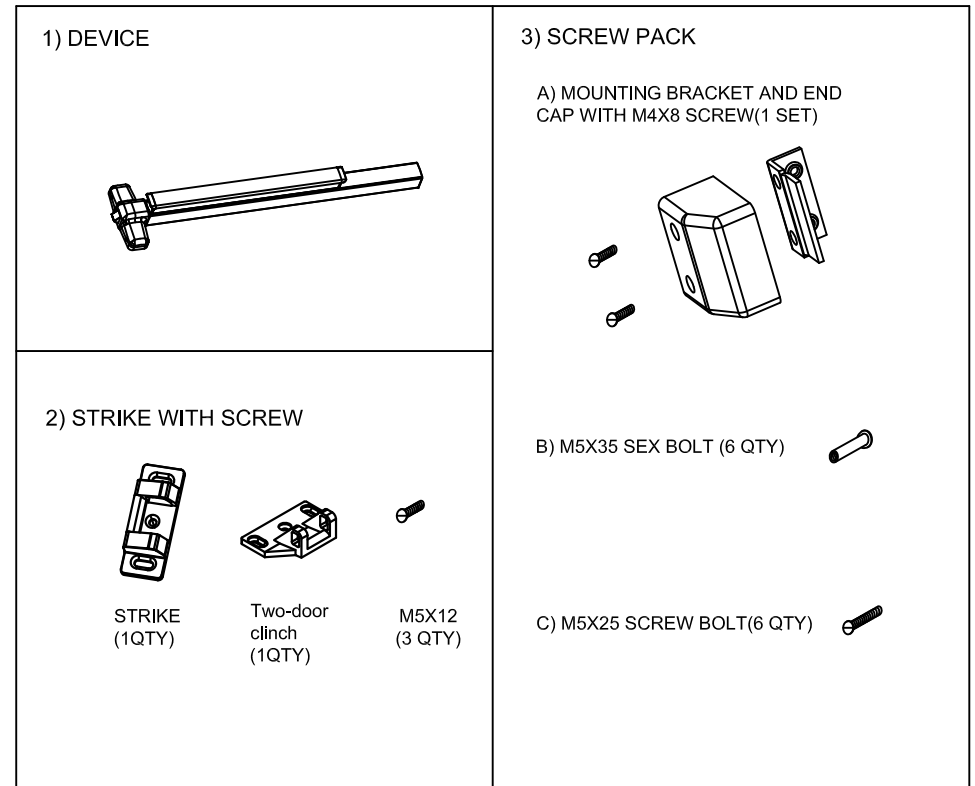
INSTALLATION INSTRUCTIONS

DEVICE APPLICATION



1. PARTS CHECK

- 1) MAKE SURE THE CORRECT DEVICE IS BEING USED.
- 2) MAKE SURE ALL NEEDED PARTS ARE ON HAND.



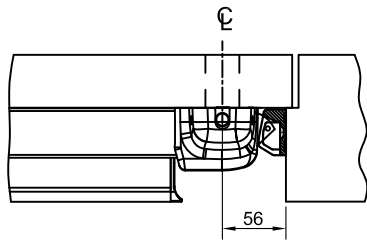
- 3) MAKE SURE OUTSIDE TRIM (IF BEING USED) HAS BEEN PROVIDED AND IS THE CORRECT HANDING.

2. DOOR LAYOUT

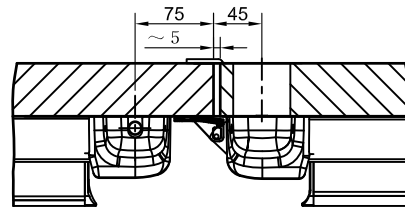
- 1) DOOR MUST BE FITTED AND HUNG PROPERLY BEFORE PROCEEDING.
- 2) MARK VERTICAL \varnothing AND HORIZONTAL \varnothing ON DOOR AND FRAME.

A) VERTICAL \varnothing :

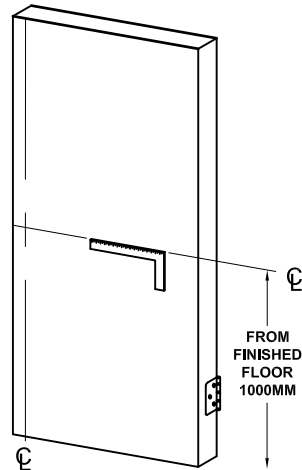
SINGLE DOOR APPLICATION



DOUBLE DOOR APPLICATION RIM DEVICE x VERTICAL ROD

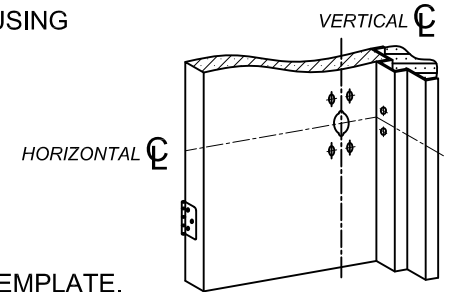


B) HORIZONTAL \varnothing :



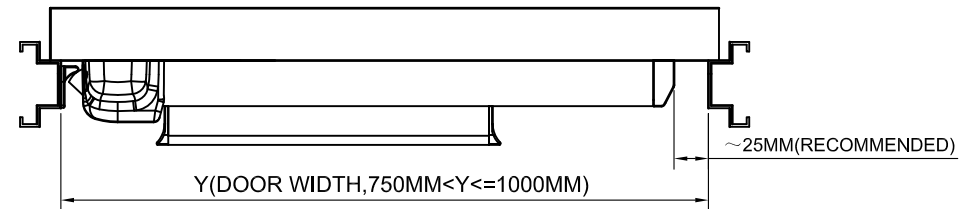
3. DOOR & HARDWARE PREPARATION

- 1) TAPE DRILLING TEMPLATE ON DOOR USING VERTICAL \varnothing AND HORIZONTAL \varnothing



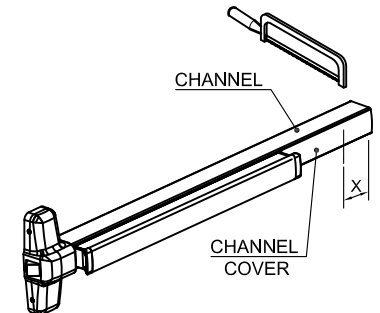
- 2) TAP HOLES AS REQUIRED, REMOVE TEMPLATE.
- 3) IF USING OUTSIDE TRIM, PREPARE DOOR USING SEPARATE TRIM DIRECTION SHEET.
- 4) DETERMINE DEVICE LENGTH.

- A) THE STANDARD DEVICE IS FIT FOR THE DOOR WIDTH FROM 750MM TO 1000MM, AND UP TO 2300mm HIGH. (IF OUTSIDE OF THE SPECIFICATION, THE ORDER SHOULD MARK THE REQUIREMENT.)
- B) MEASURE THE DOOR WIDTH OF "Y".
- C) LENGTH OF DEVICE TO BE CUTTED IS "X": $X=1000-Y$



- 5) IF DOOR WIDTH IS LESS THAN 1000MM, CUT THE DEVICE.
 - A) MARK THE DEVICE FROM THE END TO THE LENGTH "X".
 - B) CUT BOTH CHANNEL AND CHANNEL COVER TO MARKED DIMENSION AND REMOVE BURRS.

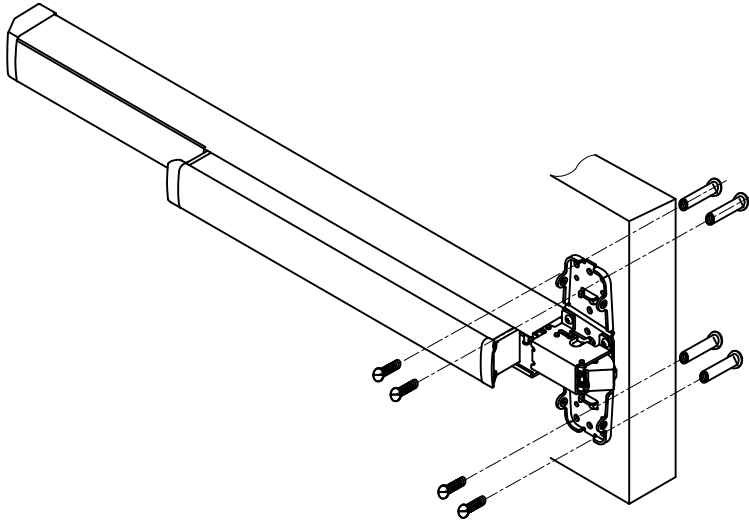
NOTE: FACTORY RECOMMENDS SAWING RATHER THAN GRIND CUT TO SIZE. GRINDING CAN DAMAGE THE FINISH OF THE DEVICE AND SAWING RESULTS IN LESS DAMAGE TO THE DEVICES'S FINISH.



4. HARDWARE INSTALLATION

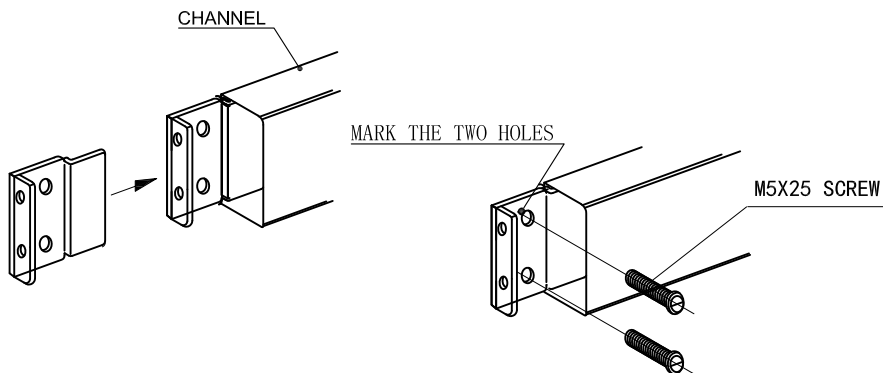
1) IF USING OUTSIDE TRIM OR SEXBOLTS, MOUNT TRIM PER DIRECTIONS IN TRIM BOX, OR INSTALL OUTSIDE SEX BOLTS.

2) FIX THE DEVICE BY SEXBOLTS AND THROUGHBOLT.

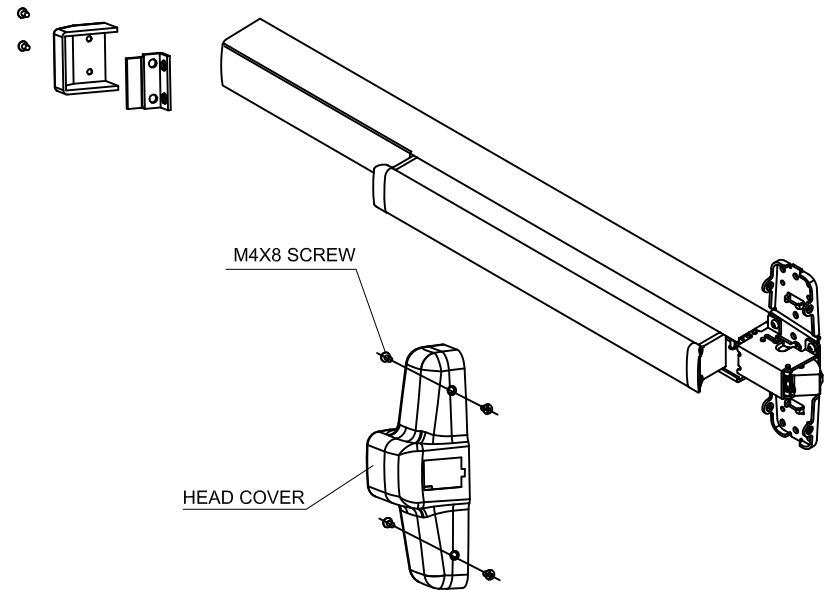


3) INSTALL END CAP MOUNTING BRACKET USING MOUNTING SCREW.

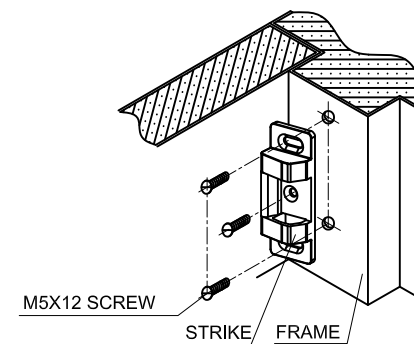
- A) SLIDE MOUNTING BRACKET INTO CHANNEL.
- B) MARK MOUNTING HOLES, AND PREPARE THE HOLES.
- C) INSTALL MOUNTING SCREWS.
- D) INSTALL END CAP.



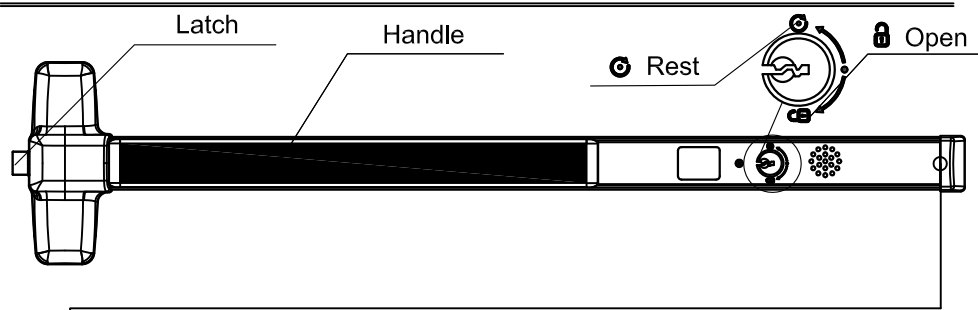
4) INSTALL HEAD COVER AND END CAP.



5) INSTALL STRIKE. CHECK THAT DEVICE OPERATES SMOOTHLY AND THAT LATCH BOLT ENGAGES SECURELY. ADJUST STRIKE IF REQUIRED.



5. Wiring Diagram



Fire Alarm - Brown	Input Fire alarm signal input
Fire Alarm + Orange	
GND Gray	GND
Access + Yellow	Input 12V DC
Access -Blue	Open Signal
Relay NO Green	S1
Relay Com White	GND
Power+ Red	12V+
Power- Black	12V-

Port	Colour	Description
1	Brown	Fir Alarm COM
2	Orange	Fire Alarm input DC12V When in high level the panic device will open with voice alarm
3	Grey	GND
4	Yellow	Access Controller output DC12V When in high level the panic device will open
5	Blue	Access Controller COM
6	Green	Relay NO
7	White	Relay Com
8	Red	12V+
9	Black	12V-

Controller Instruction:

- 5,10,15s delay time is adjustable. (Display direction is adjustable, refer the setting diagram.)
- Key to reset the lock to stop alarm.
- Key to open the door. When the key turn to the the location of "OPEN" the device is open. If the key stay in this location, the door will become passage.
- Function Option dial switch: Position 1 and 2 is for delay time setting. Position 3 is for showing setting. All as below list show:

Set	Diagram	Set	Diagram
5s delay	<p>ON 1 2 3 4</p>	0 delay	<p>ON 1 2 3 4</p>
10s delay	<p>ON 1 2 3 4</p>	Set right Open	<p>ON 1 2 3 4</p>
15s delay	<p>ON 1 2 3 4</p>	Set left Open	<p>ON 1 2 3 4</p>

User guide:

- The power cord is extracted from the rear of the lock body and the input power is DC12V/3A.
- Working status, the LED show bright red. When press the touch bar, the LED flashes, speaker alarm and downcounter display. Alarm stop, the LED is changed to green, and press the touch bar, the door is open.
- Turn the key to the location of "OPEN", the LED is changed from red to blue, in 3 seconds the touch bar will be pressed and door open.
- Turn the key to the location of "RESET", the device will reset to working status.

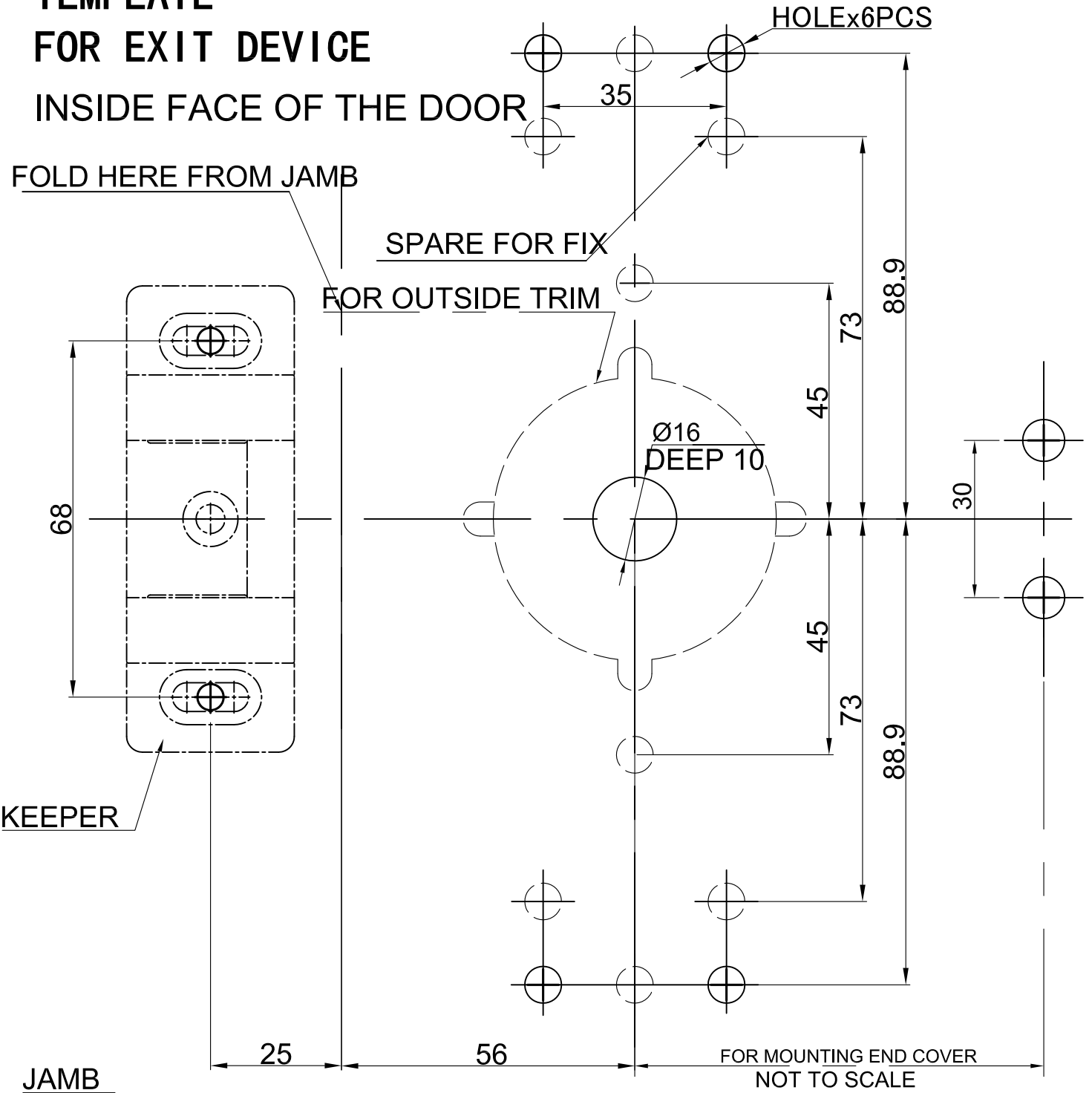
Matters needing attention:

- Correct wiring!
- The alarm will not stop if continue pressing the touch bar.
- The device only release the touch bar for 3 seconds. After 3 seconds, the device will reset to working status.

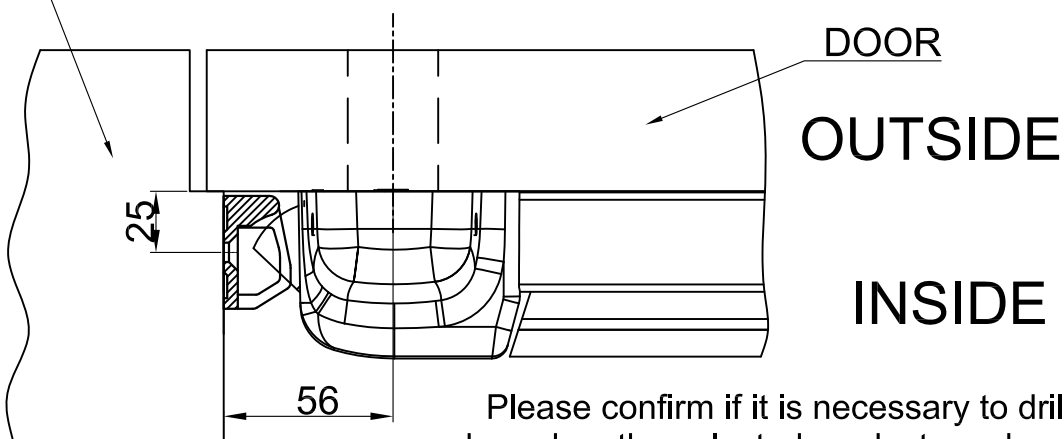
TEMPLATE FOR EXIT DEVICE

INSIDE FACE OF THE DOOR

FOLD HERE FROM JAMB



JAMB

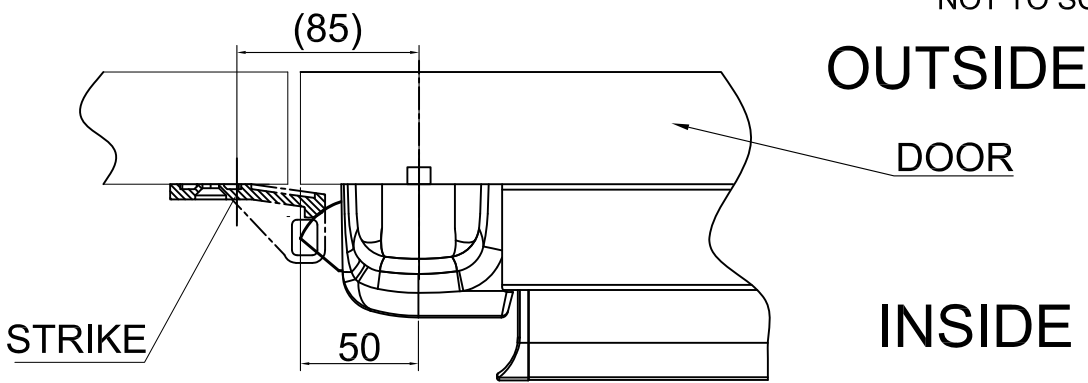
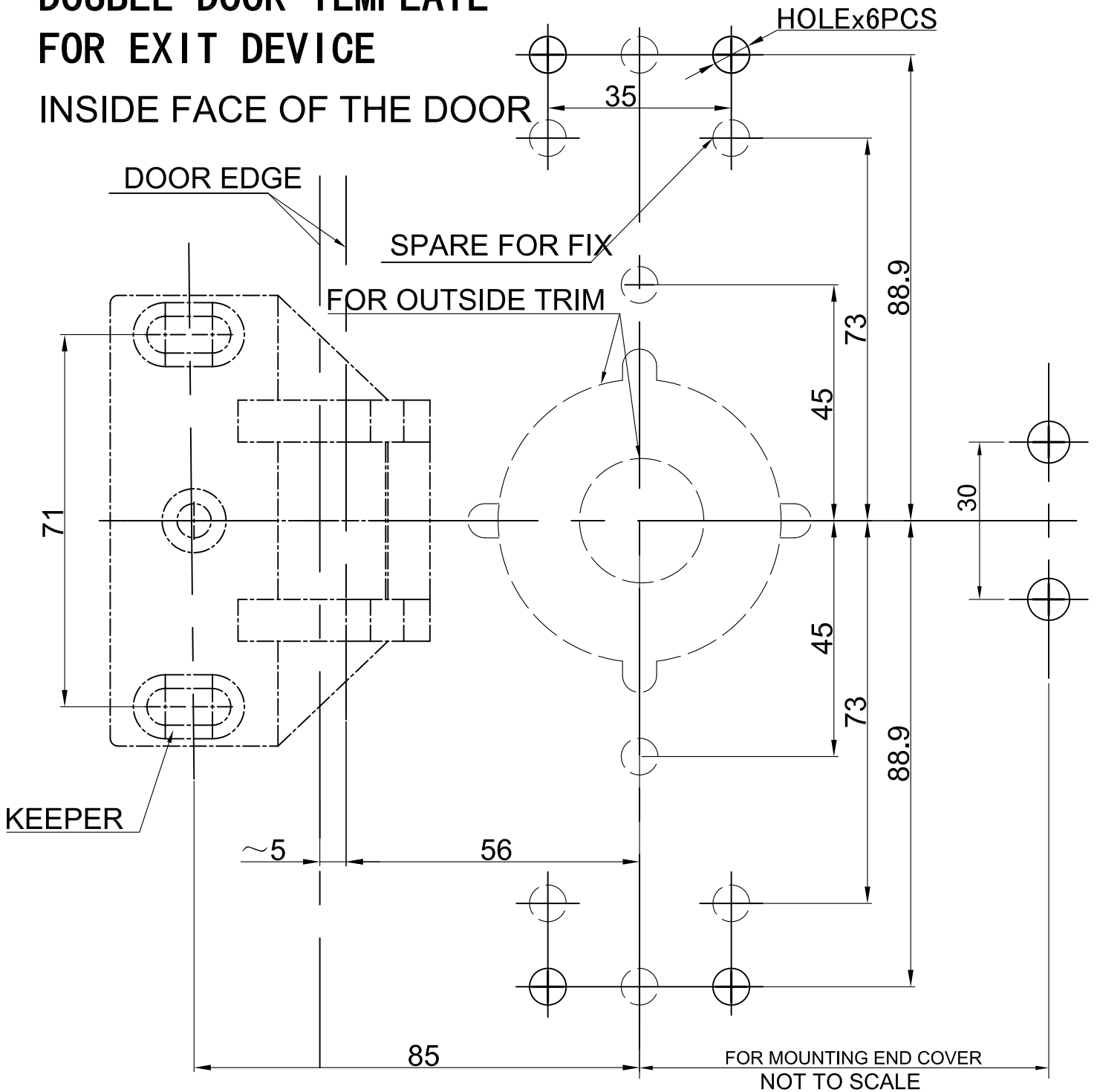


Please confirm if it is necessary to drill the holes based on the selected products and accessories.

(Note: no need to drill the holes if use wood/taper screws.)

DOUBLE DOOR TEMPLATE FOR EXIT DEVICE

INSIDE FACE OF THE DOOR



Please confirm if it is necessary to drill the holes based on the selected products and accessories.
(Note: no need to drill the holes if use wood/taper screws.)