

INSTALLATION INSTRUCTIONS

INTRODUCTION

- 1) THE DEVICE IS SUITABLE FOR FIRE AND SMOOK DOOR WHICH IS STEEL OR TIMBER, FIRE RARE1 HOURS.
- 2) THE 950MM DEVICE IS FOR DOORS MEASURING 2133MM HIGH AND 650-850MM WIDE.
 THE 1045MM DEVICE IS FOR DOORS MEASURING 2133MM HIGH AND 850-1100MM WIDE.
- 3) THE DOOR MUST WEIGHT NO MORE THAN 200KG AND BE MOUNTED IN A GOOD-QUALITY WELL-MADE FRAME
- 4) THIS DEVICE MUST BE FITTED BY COMPETENT PERSON
- 5) IF THE DOOR IS FITTING WITH A DEVICE WHICH ALLOWS YOU TO OPEN IT FROM THE OUTSIDE, READ THE INSTRUCTIONS PROVIDED WITH THAT DEVICE.

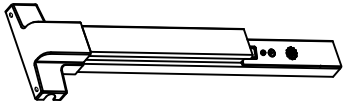
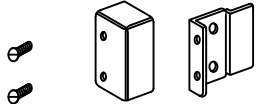





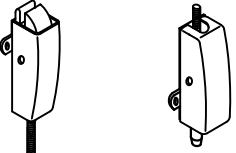

CAUTION

The safety features of this product are essential to its compliance with EN 1125. No modification of any kind, other than those described in these instructions, is permitted.

HANDING REVERAL

If the panic device is to be used with an outside access device, only the CMPA004, CMPA006, CMPA008 and CMPA010 can be used, and they are package seperated and need to book seperated.

1. PARTS CHECK

<p>1) DEVICE</p> 	<p>4) SCREW PACK</p> <p>A) MOUNTING BRACKET AND END CAP WITH M4X8 SCREW(1 SET)</p> 
<p>2) STRIKE</p>  <p>TOP STRIKE BOTTOM STRIKE STRIKE FOR DOUBLE DOOR</p>	<p>B) COTTER KEY(2 QTY)</p>  <p>C) ROD GUID (2 QTY) WITH SCREW 3.5X12(4 QTY)</p>  <p>D) M5x35 SEXUAL BOLT(6 QTY)</p>  <p>E) M5X25 BOLT (6 QTY)</p> 
<p>3) LATCHES & BOTTOM BOLTS</p>  <p>TOP LATCH (1 QTY) BOTTOM LATCH (1 QTY)</p>	<p>6) VERTICAL RODS (LENGTHS FOR 2133MM OPENINGS)</p>  <p>A) TOP ROD=950MM(1 QTY) B) BOTTOM ROD = 835MM(1 QTY)</p>

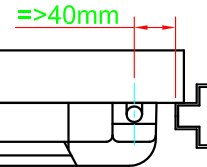
- 1) MAKE SURE THE CORRECT DEVICE IS BEING USED.
- 2) MAKE SURE ALL NEEDED PARTS ARE ON HAND.
- 3) MAKE SURE OUTSIDE TRIM (IF BEING USED) HAS BEEN PROVIDED AND IS THE CORRECT HANDING.

2. DOOR LAYOUT

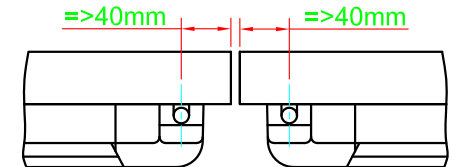
- 1) DOOR MUST BE FITTED AND HUNG PROPERLY BEFORE PROCEEDING.
- 2) MARK VERTICAL C AND HORIZONTAL C ON DOOR AND FRAME.

A) VERTICAL C :

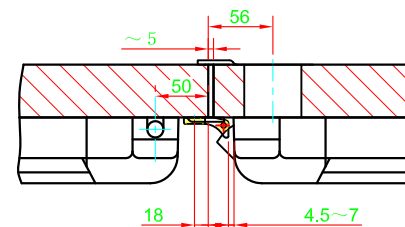
SINGLE DEVICE



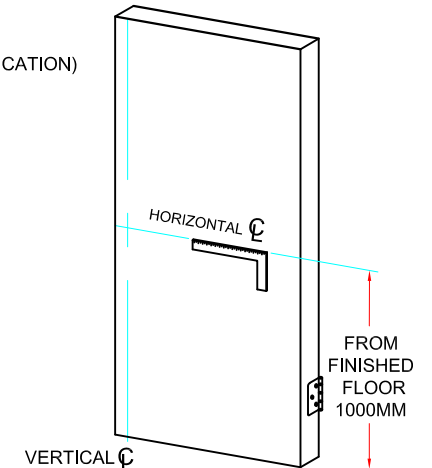
TWO VERTICAL ROD DEVICES



VERTICAL ROD x RIM DEVICE
(CMP301 OR CMP302 REQUIRED FOR THIS APPLICATION)

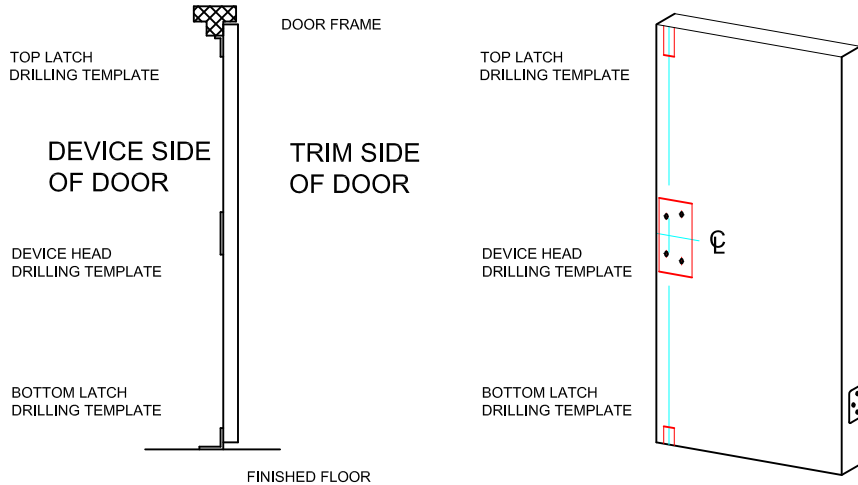


B) HORIZONTAL C :



3. DOOR & HARDWARE PREPARATION

1) TAPE DRILLING TEMPLATES ON DOOR USING VERTICAL C AND HORIZONTAL C .

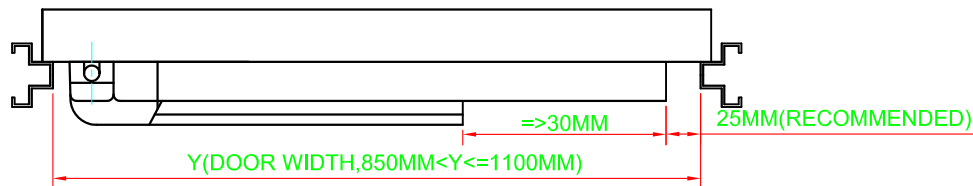


2) PREPARE HOLES FOR DEVICE, STRIKES AND LATCHES.

3) IF USING OUTSIDE TRIM, PREPARE DOOR USING SEPARATE TRIM DIRECTION SHEET.

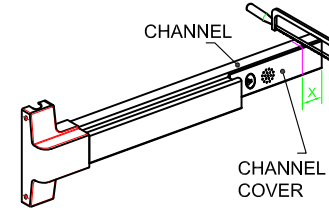
4) DETERMINE DEVICE LENGTH.

- A) THE DEVICE IS FIT FOR THE DOOR WIDTH FROM 850MM TO 1100MM
- B) MEASURE THE DOOR WIDTH OF "Y".
- C) LENGTH OF DEVICE TO BE CUTTED IS "X": $X=1100-Y$



5) IF DOOR WIDTH IS LESS THAN 1100MM, CUT THE DEVICE.

- A) MARK THE DEVICE FROM THE END TO THE LENGTH "X".
- B) CUT BOTH CHANNEL AND CHANNEL COVER TO MARKED DIMENSION AND REMOVE BURRS.



NOTE: FACTORY RECOMMENDS SAWING RATHER THAN GRIND CUT TO SIZE. GRINDING CAN DAMAGE THE FINISH OF THE DEVICE AND SAWING RESULTS IN LESS DAMAGE TO THE DEVICES'S FINISH.

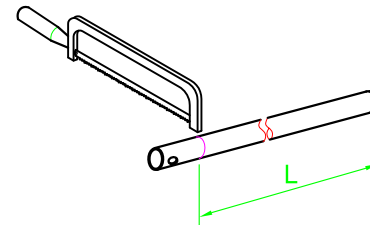
6) IF DOOR OPENING IS NOT AND LESS THAN 2133MM, DETERMINE TOP ROD LENGTH BASED ON 1000MM HORIZONTAL FROM FINISHED FLOOR, MODIFY TOP ROD TO REQUIRED LENGTH.

A) SUBTRACT DOOR OPENING FROM 2133MM OPENING.

B) SUBTRACT ANSWER FROM TOP ROD FROM 950MM TO DETERMINE TOP ROD LENGTH L (EXAMPLE: 2000MM OPENING - 2133-2000=100, 950-100=850MM TOP ROD).

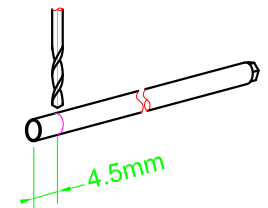
C) MARK RODS TO REQUIRED LENGTH.

D) CUT ROD AT MARKED LOCATION.



NOTE: ROD MUST BE MEASURED FROM THREADED PORTION OF RODS. DO NOT CUT ROD AT END WITH INTERNAL THREADS.

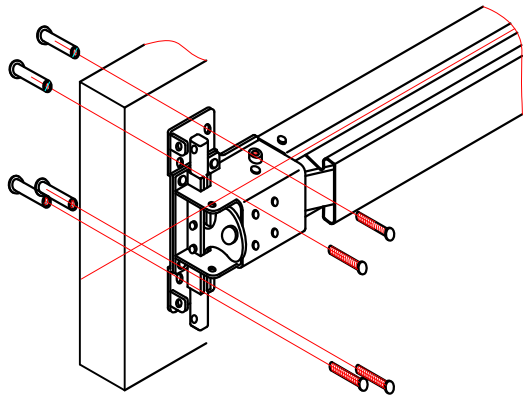
E) DRILL COTTER KEY CONNECTION HOLE. DRILL 4.0MM DIA. HOLE THRU ON VERTICAL ROD 4.5MM FROM END OF ROD JUST CUT.



4. HARDWARE INSTALLATION

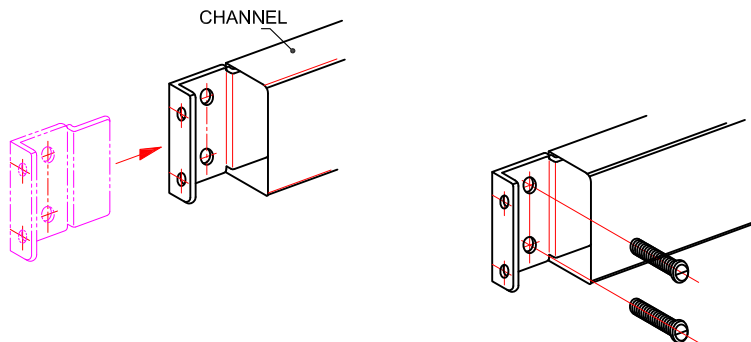
1) IF USING OUTSIDE TRIM OR SEXBOLTS, MOUNT TRIM PER DIRECTIONS IN TRIM BOX.

2) FIX DEVICE BY SEXUALBOLT AND THROUGHBOLT.

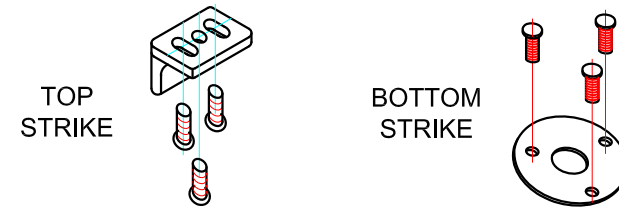


3) INSTALL END CAP MOUNTING BRACKET USING MOUNTING SCREW.

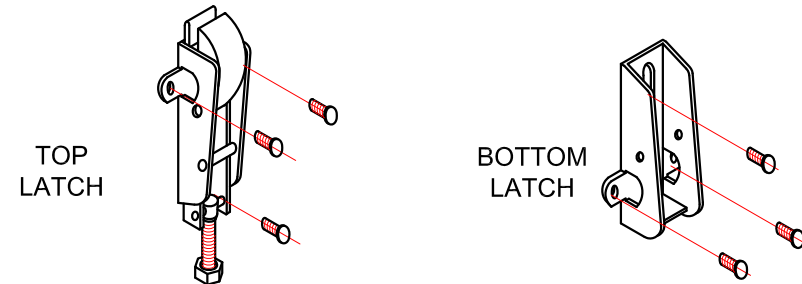
- A) SLIDE MOUNTING BRACKET INTO CHANNEL.
- B) MARK MOUNTING HOLES, AND PREPARE THE HOLES.
- C) INSTALL MOUNTING SCREWS



4) INSTALL THE TOP STRIKE AND THE BOTTOM STRIKE



5) INSTALL TOP AND BOTTOM LATCHES.



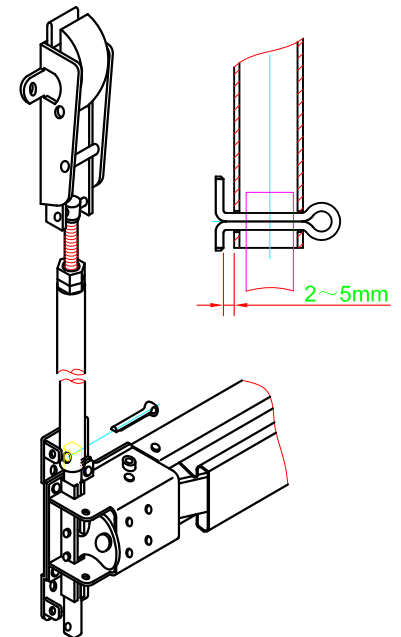
6) TOP ROD INSTALLATION:

A) PLACE THE TOP ROD INTO THE BOLT OF TOP LATCH, AND SLIDE THE SLIDE BAR INTO THE BOTTOM OF TOP ROD.

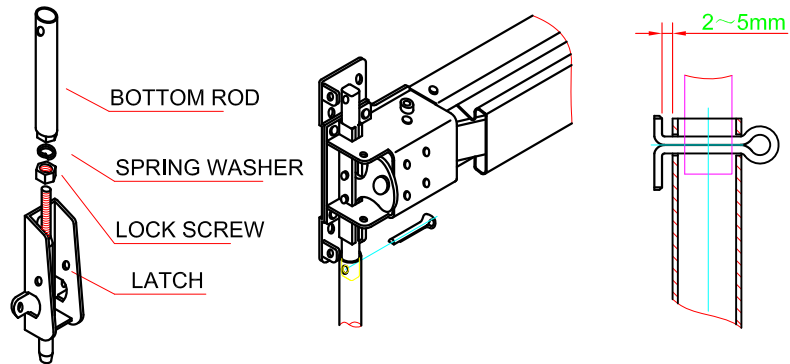
B) ADJUST THE SCREW OF TOP ROD TO MAKE SURE THE COTTER KEY HOLE ALIGNED WITH THE HOLE IN SLIDE BAR. PUT THE THE COTTER KEY INTO THE HOLE(NOTE: DON'T TIGHT THE COTTER KEY).

C) TEST THE TOP ROD, IF IT LOCK AND SMOOTH WELL, TIGHT THE COTTER KEY.

D) IF THE TOP ROD DOESN'T WORK WELL, TAKE OUT THE COTTER KEY, ADJUST THE ADJUSTMENT SCREW, REPEAT STEP OF B)&C) UNTIL IT LOCK AND WORK WELL.

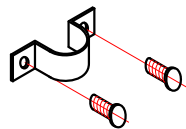


7) PLACE THE BOTTOM ROD TO BOTTOM LATCH, AND SLIDE THE SLIDE BAR INTO THE TOP OF BOTTOM ROD. ADJUST THE SCREW OF BOTTOM ROD TO MAKE SURE THE COTTER KEY HOLE ALIGNED WITH THE HOLE IN SLIDE BAR, TIGHT THE COTTER KEY.



8)ROG GUID INSTALLATION

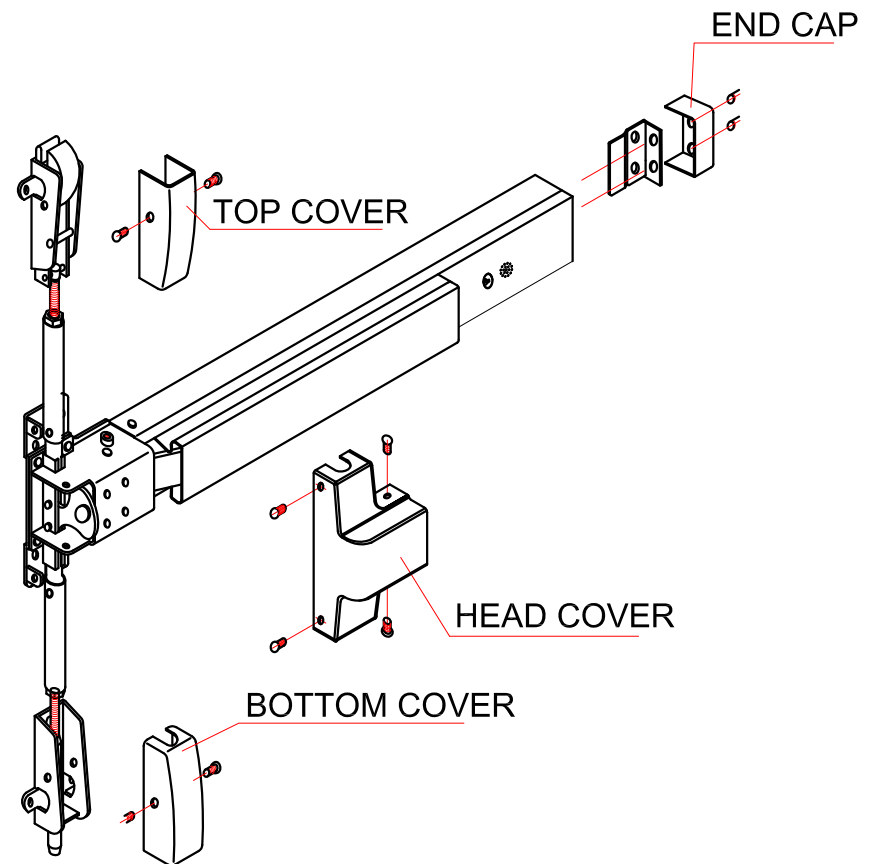
ATTACH ROD GUIDES TO ROD EQUIDISTANT BETWEEN THE LATCHES AND DEVICE HEAD. DRILL THE HOLE, AND FIX IT.



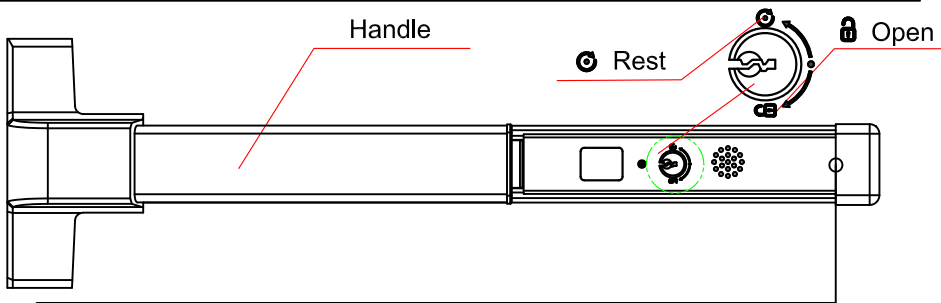
NOTE: THE ROD GUID SHOULD NOT BLOCK THE MOVEMENT OF THE ROD.

9) APPLY COVERS.

- A) ASSEMBLE COVER TO HEAD ASSEMBLY USING M4x8 SCREWS.
- B) ATTACH END CAP USING M4x8 SCREWS.
- C) ATTACH LATCH COVERS USING M4x8.



5. Wiring Diagram 406-DE-TLM



Fire Alarm - Brown	Input Fire alarm signal input
Fire Alarm + Orange	
GND Gray	GND
Access + Yellow	Input 12V DC
Access -Blue	Open Signal
Relay NO Green	S1
Relay Com White	GND
Power+ Red	12V+
Power- Black	12V-

Port	Colour	Description
1	Brown	Fir Alarm COM
2	Orange	Fire Alarm input DC12V When in high level the panic device will open with voice alarm
3	Grey	GND
4	Yellow	Access Controller output DC12V When in high level the panic device will open
5	Blue	Access Controller COM
6	Green	TLM Dry connect
7	White	TLM COM port
8	Red	12V+
9	Black	12V-

Controller Instruction:

- 5,10,15s delay time is adjustable. (Display direction is adjustable, refer the setting diagram.)
- Key to reset the lock to stop alarm.
- Key to open the door. When the key turn to the the location of "OPEN" the device is open. If the key stay in this location, the door will become passage.
- Function Option dial switch: Position 1 and 2 is for delay time setting. Position 3 is for showing setting. All as below list show:

Set	Diagram	Set	Diagram
5s delay		0 delay	
10s delay		Set right Open	
15s delay		Set left Open	

User guide:

- The power cord is extracted from the rear of the lock body and the input power is DC12V/3A.
- Working status, the LED show bright red. When press the touch bar, the LED flashes, speaker alarm and downcounter display. Alarm stop, the LED is changed to green, and press the touch bar, the door is open.
- Turn the key to the location of "OPEN", the LED is changed from red to blue, in 3 seconds the touch bar will be pressed and door open.
- Turn the key to the location of "RESET", the device will reset to working status.

Matters needing attention:

- Correct wiring!
- The alarm will not stop if continue pressing the touch bar.
- The device only release the touch bar for 3 seconds. After 3 seconds, the device will reset to working status.

