

INSTALLATION INSTRUCTIONS

INTRODUCTION

- 1) THE DEVICE IS SUITABLE FOR FIRE AND SMOOK DOOR WHICH IS STEEL OR TIMBER, FIRE RARE1 HOURS.
- 2) THE 950MM DEVICE IS FOR DOORS MEASURING 2133MM HIGHT AND 650-850MM WIDE.
THE 1045MM DEVICE IS FOR DOORS MEASURING 2133MM HIGHT AND 850-1100MM WIDE.
- 3) THE DOOR MUST WEIGHT NO MORE THAN 200KG AND BE MOUNTED IN A GOOD-QUALITY WELL-MADE FRAME
- 4) THIS DEVICE MUST BE FITTED BY COMPETENT PERSON
- 5) IF THE DOOR IS FITTING WITH A DEVICE WHICH ALLOWS YOU TO OPEN IT FROM THE OUTSIDE, READ THE INSTRUCTIONS PROVIDED WITH THAT DEVICE.

CAUTION

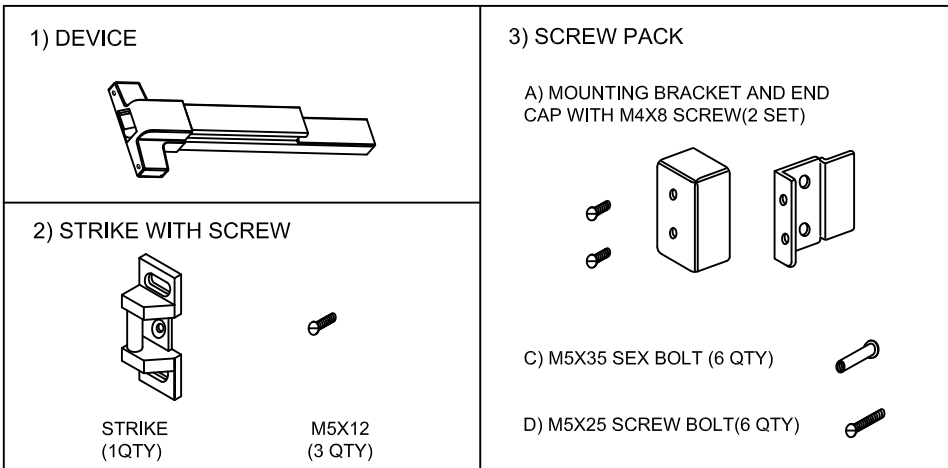
The safety features of this product are essential to its compliance with EN 1125. No modification of any kind, other than those described in these instructions, is permitted.

HANDING REVERAL

If the panic device is to be used with an outside access device, only the CMPA004, CMPA006, CMPA008 and CMPA010 can be used, and they are package seperated and need to book seperated.

1. PARTS CHECK

- 1) MAKE SURE THE CORRECT DEVICE IS BEING USED.
- 2) MAKE SURE ALL NEEDED PARTS ARE ON HAND.
- 3) MAKE SURE OUTSIDE TRIM (IF BEING USED) HAS BEEN PROVIDED AND IS THE CORRECT HANDING.

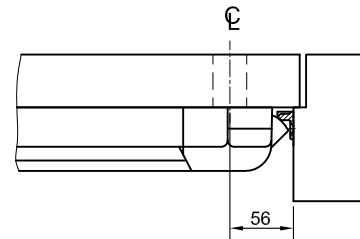


2. DOOR LAYOUT

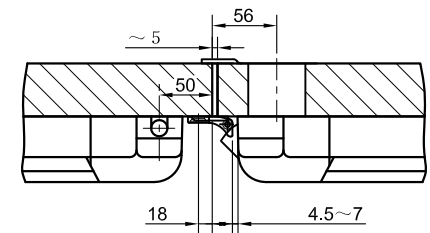
- 1) DOOR MUST BE FITTED AND HUNG PROPERLY BEFORE PROCEEDING.
- 2) MARK VERTICAL \varnothing AND HORIZONTAL \varnothing ON DOOR AND FRAME.

A) VERTICAL \varnothing :

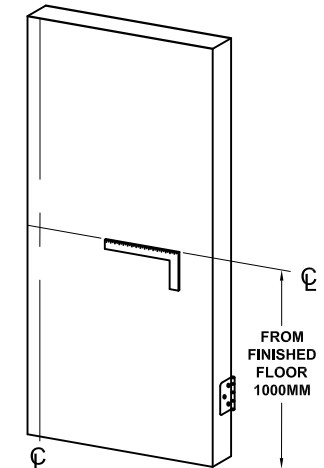
SINGLE DOOR APPLICATION



DOUBLE DOOR APPLICATION RIM DEVICE x VERTICAL ROD

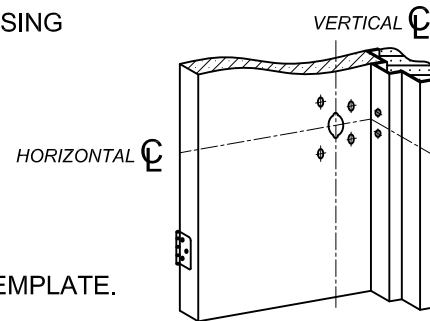


B) HORIZONTAL \varnothing :



3. DOOR & HARDWARE PREPARATION

- 1) TAPE DRILLING TEMPLATE ON DOOR USING VERTICAL C AND HORIZONTAL C

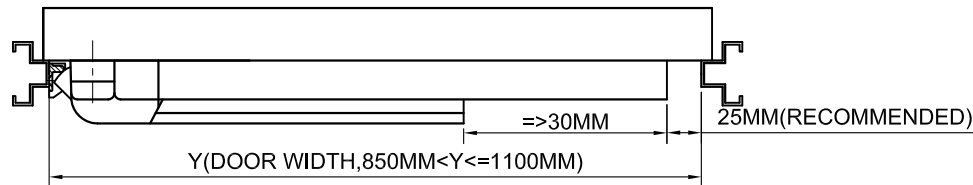


- 2) TAP HOLES AS REQUIRED, REMOVE TEMPLATE.

- 3) IF USING OUTSIDE TRIM, PREPARE DOOR USING SEPARATE TRIM DIRECTION SHEET.

- 4) DETERMINE DEVICE LENGTH.

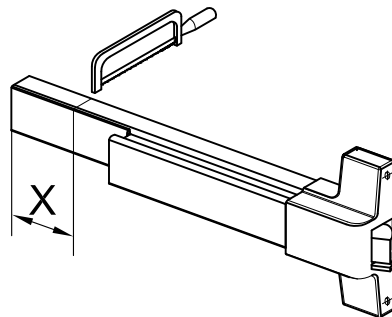
- A) THE DEVICE IS FIT FOR THE DOOR WIDTH FROM 650MM TO 1100MM
 B) MEASURE THE DOOR WIDTH OF "Y".
 C) LENGTH OF DEVICE TO BE CUTTED IS "X": $X=1100-Y$



- 5) IF DOOR WIDTH IS LESS THAN 1100MM, CUT THE DEVICE.

- A) MARK THE DEVICE FROM THE END TO THE LENGTH "X".
 B) CUT BOTH CHANNEL AND CHANNEL COVER TO MARKED DIMENSION AND REMOVE BURRS.

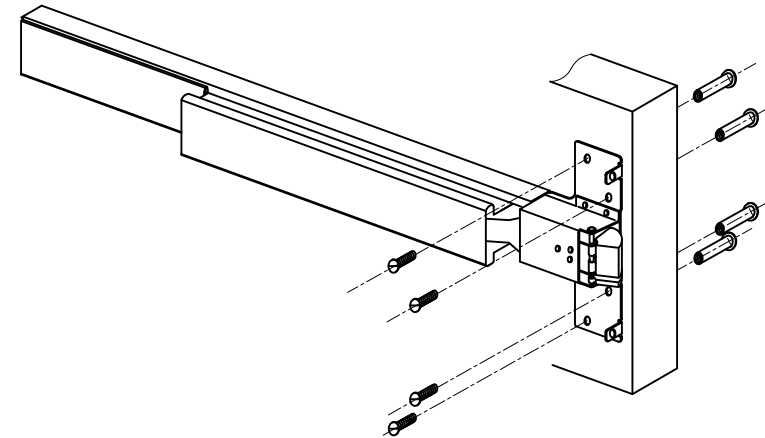
NOTE: FACTORY RECOMMENDS SAWING RATHER THAN GRIND CUT TO SIZE. GRINDING CAN DAMAGE THE FINISH OF THE DEVICE AND SAWING RESULTS IN LESS DAMAGE TO THE DEVICES'S FINISH.



4. HARDWARE INSTALLATION

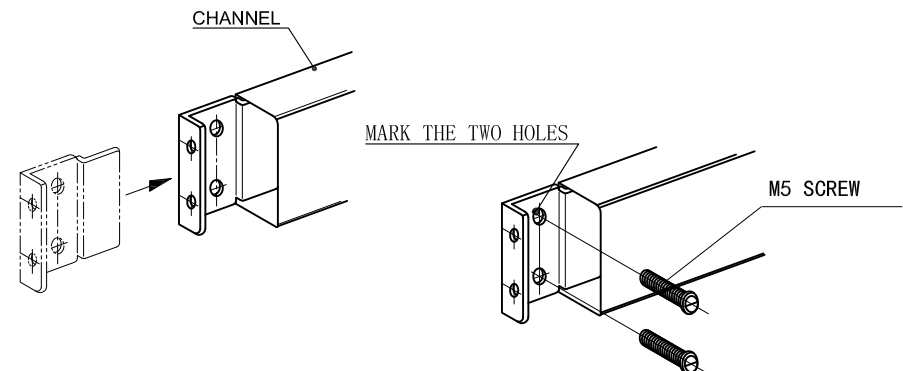
- 1) IF USING OUTSIDE TRIM OR SEXBOLTS, MOUNT TRIM PER DIRECTIONS IN TRIM BOX, OR INSTALL OUTSIDE SEX BOLTS.

- 2) FIX THE DEVICE BY SEXBOLTS AND THROUGHBOLT.

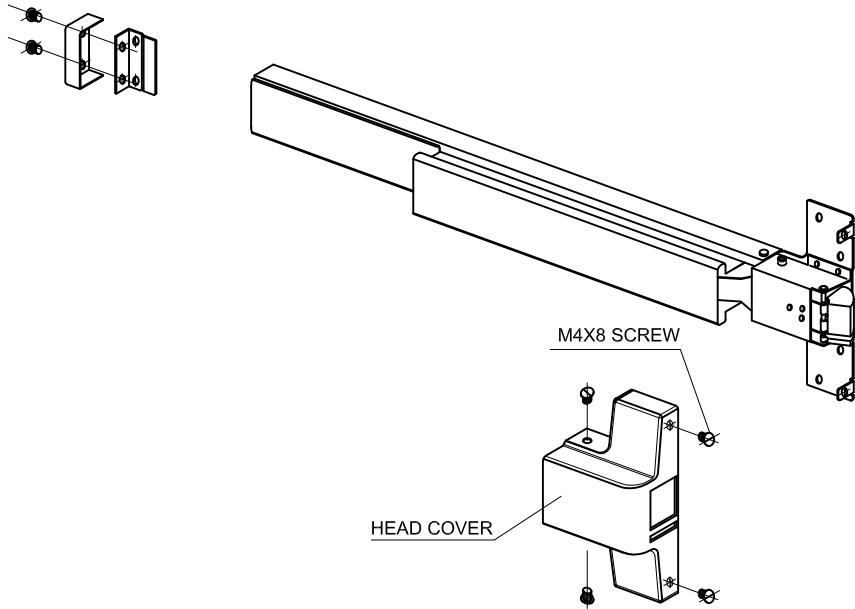


- 3) INSTALL END CAP MOUNTING BRACKET USING MOUNTING SCREW.

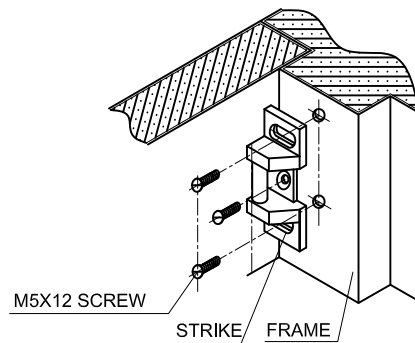
- A) SLIDE MOUNTING BRACKET INTO CHANNEL.
 B) MARK MOUNTING HOLES, AND PREPARE THE HOLES.
 C) INSTALL MOUNTING SCREWS.
 D) INSTALL END CAP.



4) INSTALL HEAD COVER AND END CAP.



5) INSTALL STRIKE. CHECK THAT DEVICE OPERATES SMOOTHLY AND THAT LATCH BOLT ENGAGES SECURELY. ADJUST STRIKE IF REQUIRED.



6) Remove the End Cover for changing the battery. (Please note the battery direction)

