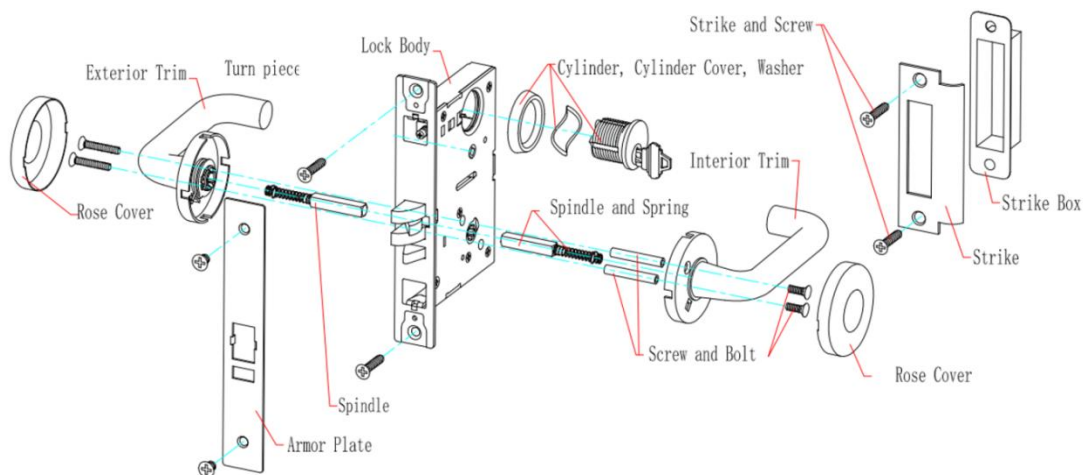


# CML850 MORTISE LOCK

## INSTALLATION INSTRUCTION

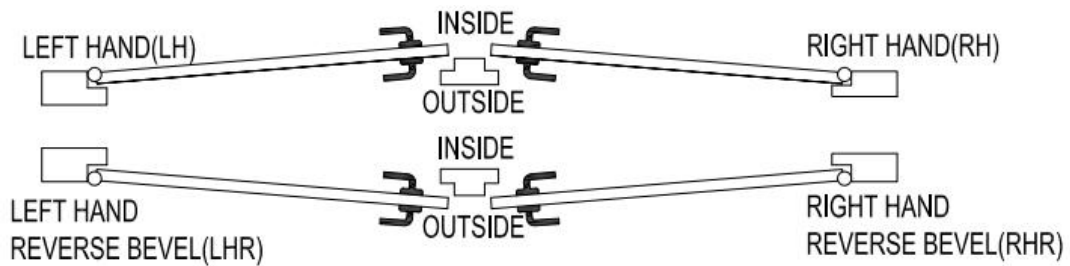
### A Door Preparation :

1. **Checking the mounting list :** For different series production the components may be a little different.
2. **Check the handle matches door open :** Before install the lock please check the latch matches the door open direction,if not please correct it follow the second chapter B step 2 and 3.



### B Mortise lock install process :

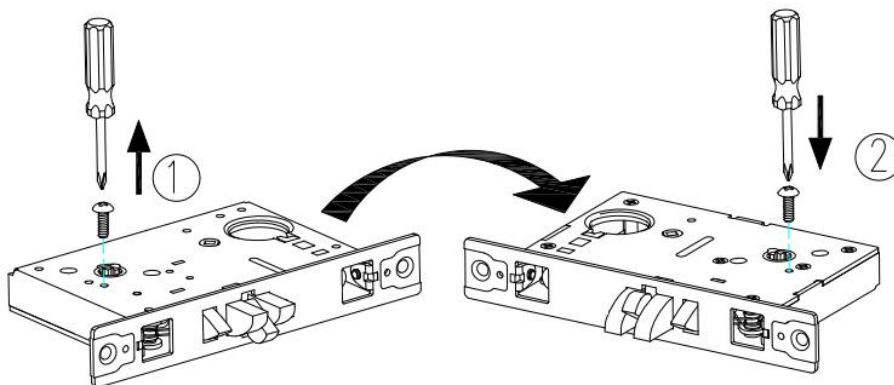
1. **Handing :** Check the handing by the picture show



## 2. Mortise rehanding(if required) :

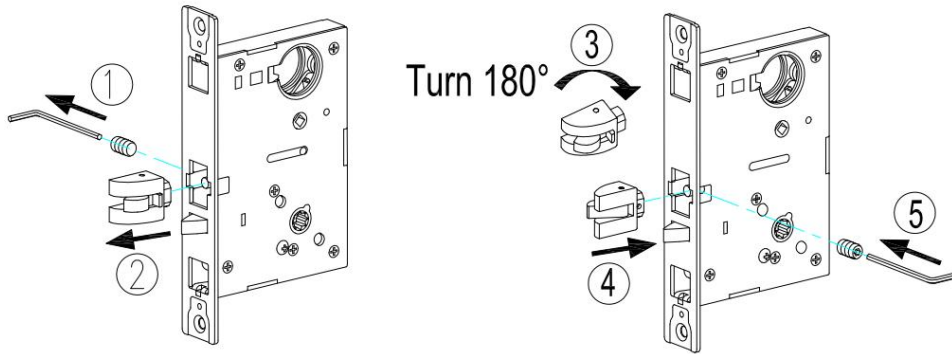
- 1 ) Remove the two handing screws above and below the spindle hub;
- 2 ) Flip the chassis over and install the two screws into the same location on the opposite.

Note: Be sure to alternate tightening each screw so the locking slide does not bind.



## 3. Reversing direction of latch(if required) :

- 1 ) Remove the latch bolt set screw with the provided allen key;
- 2 ) Remove the latch from the mortise lock, and turn 180° install into the lock;
- 3 ) Reinstall the latch bolt set screw and tighten securely.



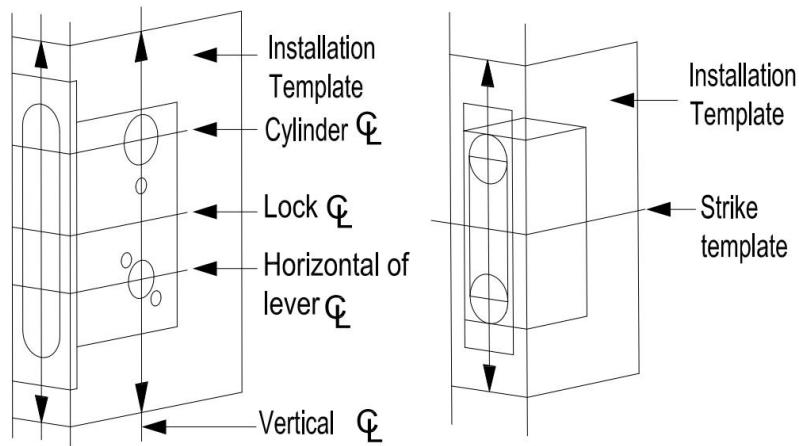
#### 4. Door trepanning :

Notice: If the strike already exists in the door frame, position the lock using the strike as a reference.(see strike position on the template)

1 ) Draw a horizontal line on both sides and the edge of the door at the desire height of the lever or knob above the floor. Draw a vertical center line on the door edge. Draw a vertical central line on each side of the mortise cavity on the door edge;

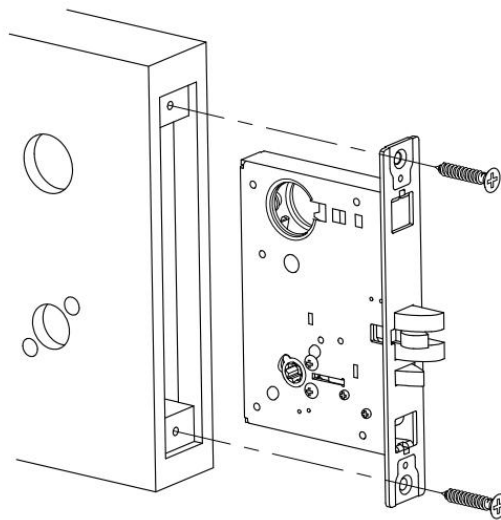
2 ) Position the template on the edge and side of the door. Only mark the holes for each top and bottom holes of the mortise cavity on the door edge ; Mark the proper recess area on the door edge template(See lock body to determine proper side); Remove the template, place the lock face against the door edge. Trace the cutline of the face plate as a guide for the face plate routing;

3 ) Mortise the door frame for the lock body and face plate per the instruction on the template. Refer to the template to determine the strike location on the jamb. Drill screw holes and fasten.



## 5. Install chassis :

Place the chassis into the door edge and secure with two combo screws.

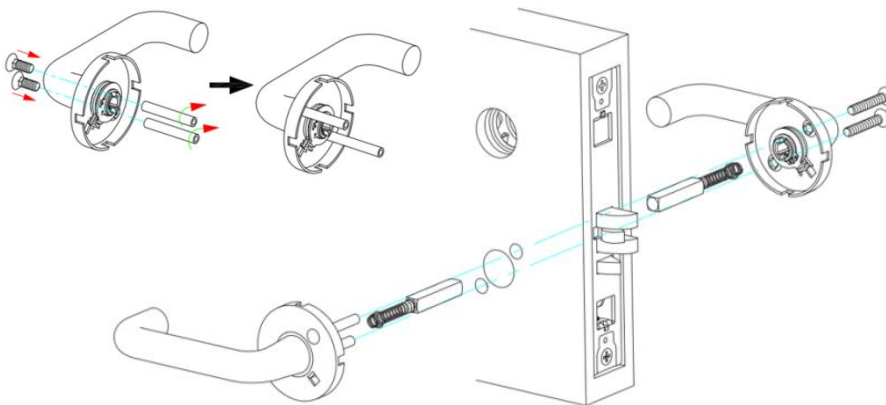


## 6. Install trim :

1 ) fix the screw with poles on the exterior chassis. Place exterior trim with the thru-posts through the door and lock chassis and make sure the lever spindle engages properly with the lock .

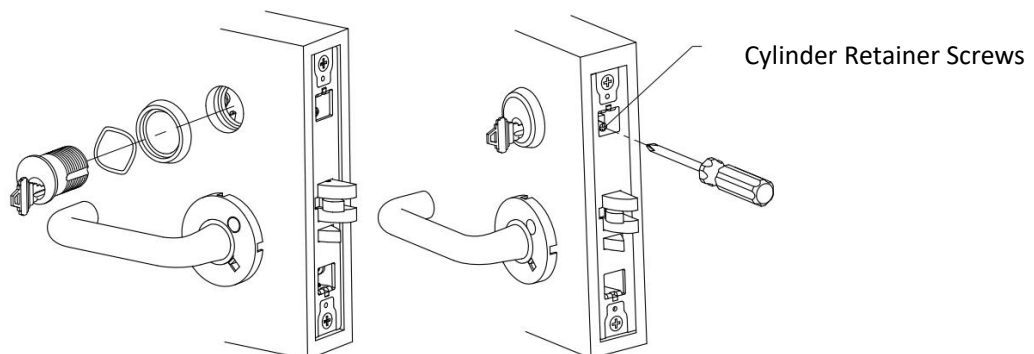
2 ) Position the internal trim and make sure the spindle engages properly with the lock. Insert the mounting screw through the interior trim and into the thru-posts of the exterior trim and fasten.

3 ) Slide the rose cover over interior and exterior trim, align notches of cover with rose and snap on.



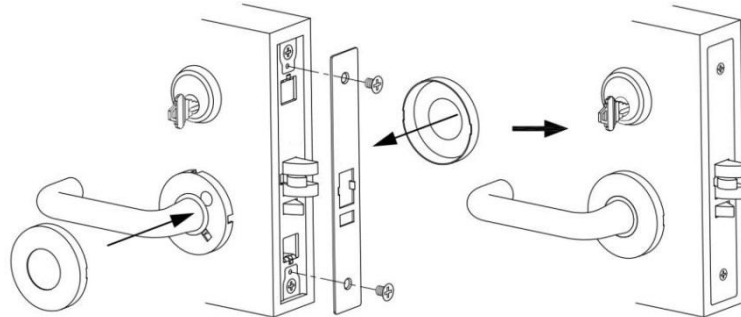
## 7. Install cylinder :

Slide the wave washer and cylinder ring over the cylinder. Thread the cylinder into the face of the door, oriented with the plug at bottom center. Tighten the cylinder in place using the cylinder retainer screws.



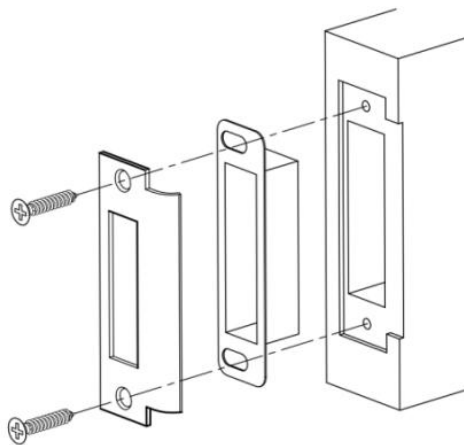
## 8. Install armor plate :

Secure the armor plate using two screws.



## 9. Install strike :

Insert the dust box then strike, secure each with two combo-screw.

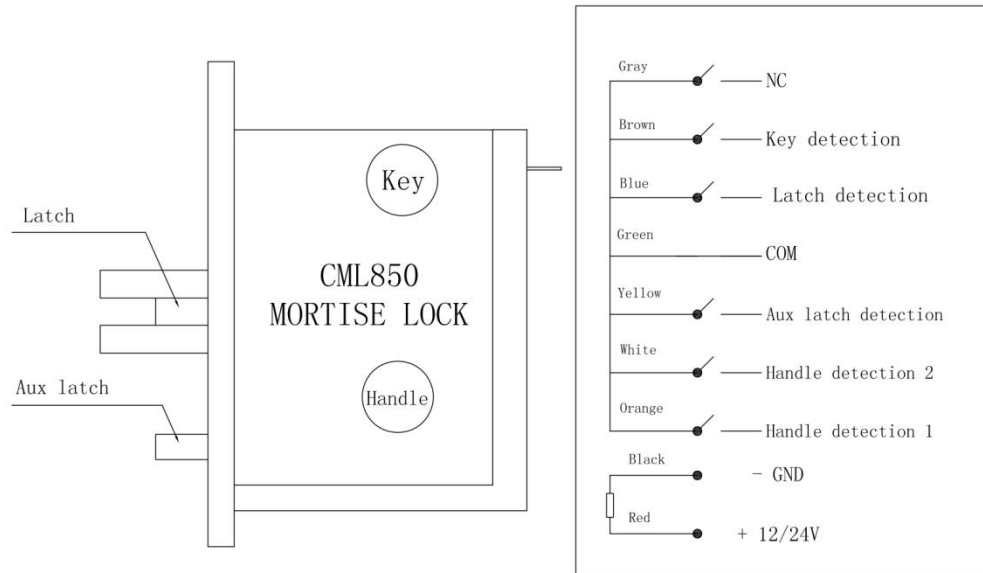


### **IMPORTANT**

- 1) Be sure spindle have engaged lock chassis.
- 2) Test for proper lock operation with turn piece, lever and key.
- 3) Tighten all screws, including cylinder set screw.
- 4) Re-check lock for proper function before closing door.

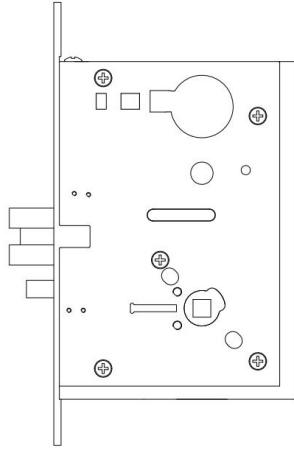
## C Installation wire diagram :

### Wiring diagram:

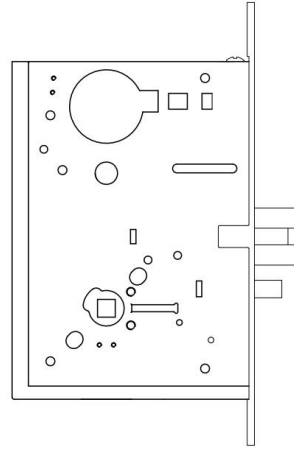


### Note :

1. Please follow the wire diagram to install the cables, and the power supply is 12/24V DC current over 500mA.
2. The exit request function is divided into inside door and outside door. Please connect the handle detection line inside the door as the exit request signal. Refer to the following figure for the relationship between the detection lines on both sides and the lock panel.



Handle detection 2



Handle detection 1