

72-65TD ELECTRMAGNET MORTISE LOCKS

1. FUNCTION:

Handle controlled locks can be set to function as fail locked or as fail unlocked.

In the fail locked setting, the lock can be opened by handle when power is on, and it can't be opened by handle when power is off.

In the fail unlocked setting, the electrical function is the opposite.

Only outside handle is electrically controlled.

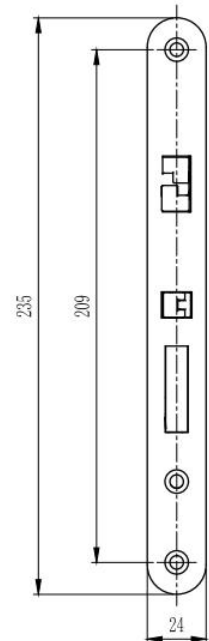
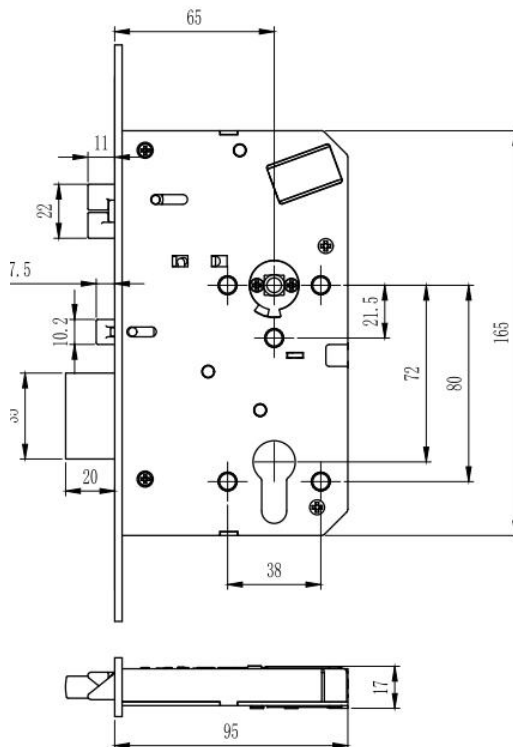
The lock can always be opened by inside handle.

Mechanical opening by cylinder is always possible.



2. TECHNICAL DETAILS

- Operating voltage: 12/24V DC
- Current: Max. 500ma, Idle 200ma
- Micro switches: Max. 125V, 1A
- Operating temperature: -20°C - +60°C
- Bolt throw: 20 mm (deadbolt), 10 mm (double action bolt)
- Backset: 65mm
- Distance: 72mm
- Forend: 20, 24 mm
- Spindle: 8 mm
- Settable functions:
- Mechanical functions:
 - Handing of trigger bolt
 - Electrically controlled side
- Electrical function:
 - Fail locked / Fail unlocked
- Monitoring outputs:
 - Deadbolt
 - Aux Latchbolt
 - Handle used
 - Cylinder used



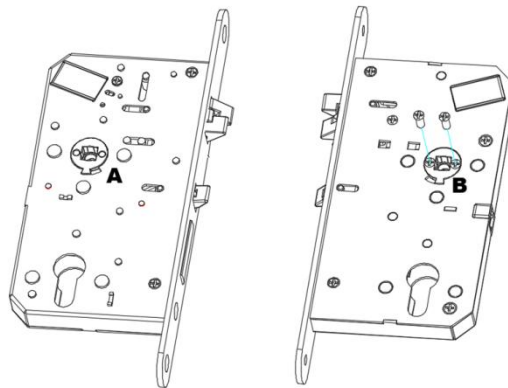
3. FAIL LOCK/FAIL UNLOCK SETTING

A: Screw locates in A is Fail unlocked.
 B: Screw locates in B is Fail locked.



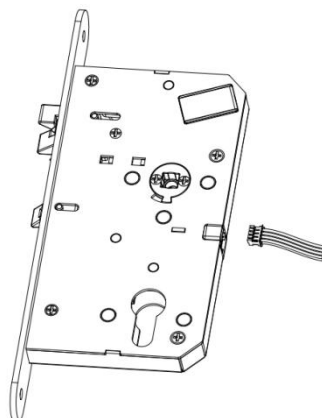
4. HANDED SETTING

The 2 handed screws forward interior.
 If the delivery standard doesn't meet the handed requirement, change the 2 screws to other side.



5. WIRING DIAGRAM

The delivery standard is Fail unlocked.

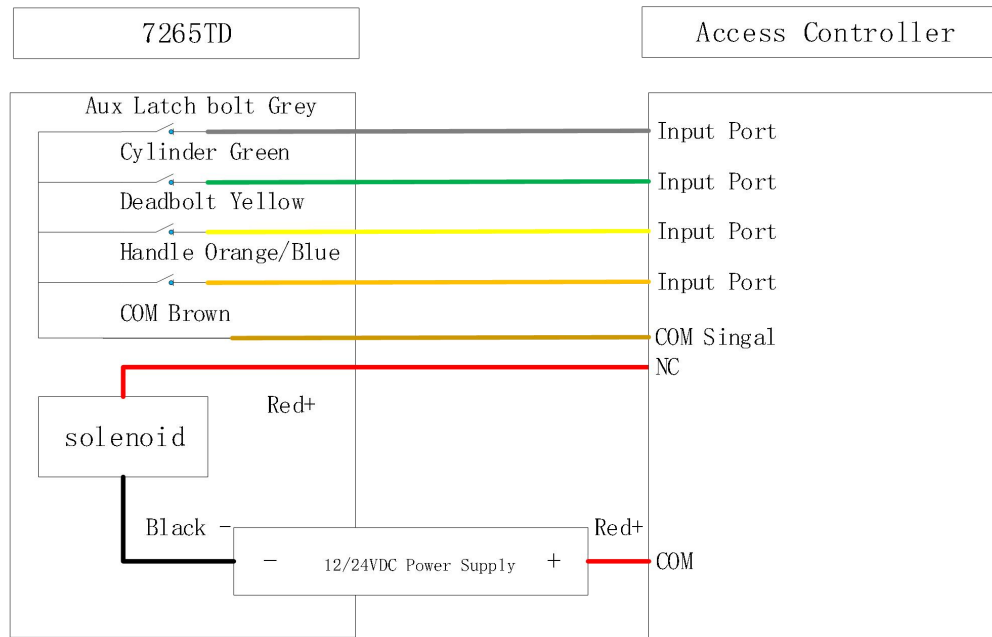


Color	Port	Monitoring
Grey	key1 NO	Aux Latch bolt
Green	key2 NO	Cylinder
Yellow	key3 NO	Deadbolt

Orange/Blue	key4 NC	Handle
Brown	key1、key、key1、key4 public C	
White	N/A	
Black	Power -	12/24VDC 300mA
Red	Power +	

6 Typical Application

Fail Safe application

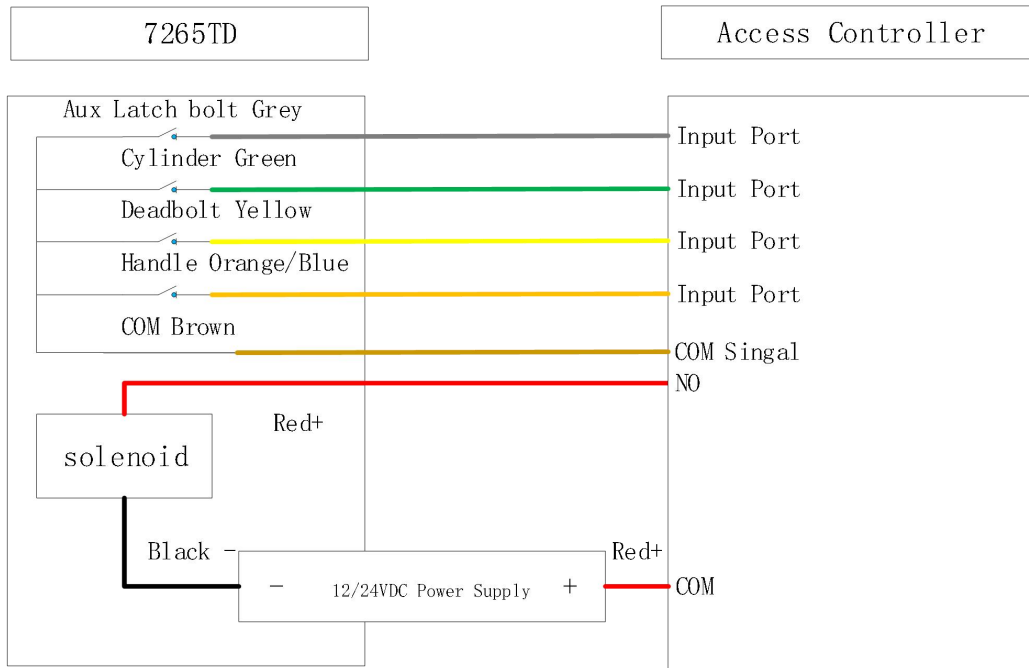


Notice:

When the lock work at fail safe mode, shut down the power can open the lock.

Orange or blue cable is the Deadbolt wire.

Fail Lock Application



Notice:

When the lock work at fail lock mode, switch on the power can open the lock.
 Orange or blue cable is the Deadbolt wire.